

This catalogue is prepared by considering ELTE PANO's standart production scale.

The descriptions are given in the pages, which include the products and parts, drawings, mounting and usage methods and product groups.

The dimensions and weights of products and parts are approximate values. It can change according to the order combination and shipment specifications.

ELTE PANO can change the models, types and technical specifications of the products. We reserve our right to further developments and technical modifications of our products.

bilgi@eltepano.com

Product Solutions

About us...

ELTE PANO is one of the leading and fast growing companies in its sector in Turkey with its machinery and technologic structure, qualified and skilled personnel and increasing production capacity.

ELTE PANO keeps moving ahead by following developments very closely in its sector in the world. ELTE PANO has vision to adopt these developments to its production to fulfill international standarts by renewing its machinery park.

Our vision and policy is to create "93on-time, quality, economical products and solutions"94 to our customers and gain trust or our customers with our promised service.

ELTE PANO produces, Low voltage switchgear enclosures, busbar and fiberoptical cabling cabinets, outdoor type cabinets for communication industry, electronic tool boxes, and other sheet metal fabrication products from stainless steel, alumimium, galvanised and mild steel.

ELTE PANO supportes these products with its service applications by engineering and designing according to international standarts and customer requirements. As our corporate policy, our vision is to focus thoroughly on customer satisfaction by succeeding our promises in a way which will create reliability, trust, value-added solutions.



www.eltepano.com



About us

Our key values are "Passion, Respect, Team Work, Customer, Synergies, Profit and Achieve future goals by enhancing value chain and improving the partnership between our customers and end users". The heart of our business is to choose, train, motivate and involve our co-workers who we strongly believe that they are the key to our steady development.

OUR VALUES

Customers are the Priority

To Establish Trustful Partnership with our Customers

Close Contact with our Customers and Continuously Enhance Service Quality

Keep on Learning and Sharing our Knowledge

Desire to Come-up with Innovative Solutions

Listen to our Customers, Clearly Identify the Needs, Organize Ourselves to Satisfy Them

3



4



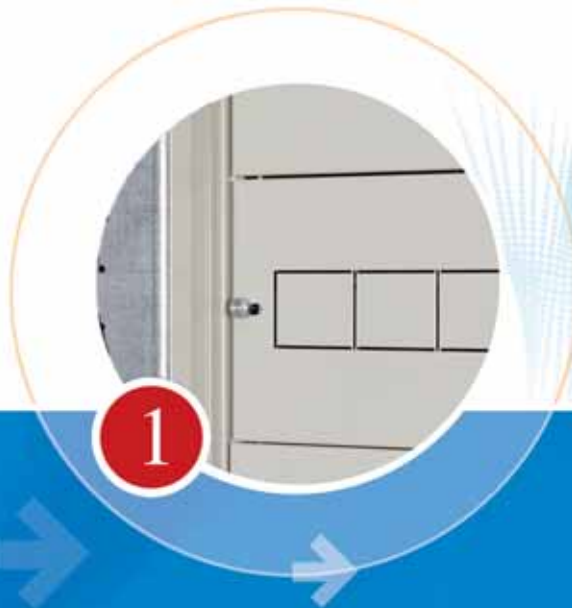
bilgi@eltepano.com

Product Solutions



- ➔ L.V Switchgear Enclosures
- ➔ Power Distributions
- ➔ Data Communication Enclosures
- ➔ Electronic Boxes

Enclosure Solutions



www.eltepano.com



- ➔ Command Consoles
- ➔ Climate Applications
- ➔ Custom Design



3



4

bilgi@eltepano.com

Product Solutions



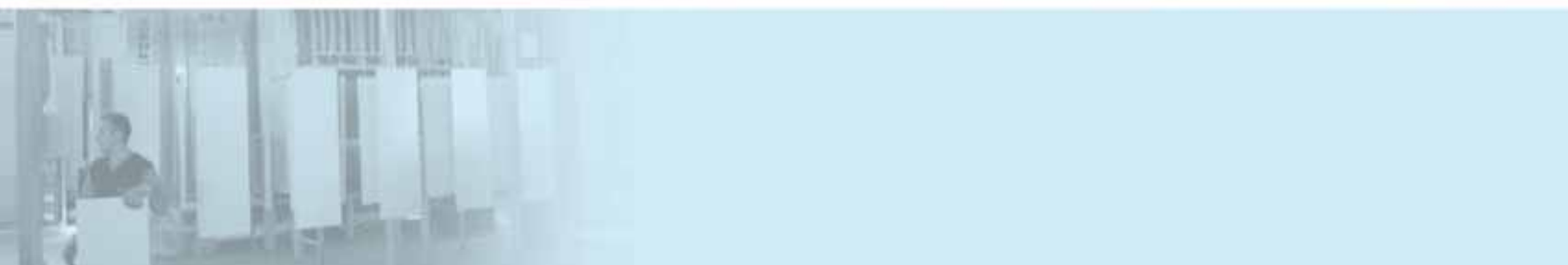


Sectorel Applications

- Energy Centrals
- Energy Management Centers
- Energy Distribution Centers
- Local Supplis, Distributions & Control Centers
- AC and DC Motor Control Centers
- Reactive Companzation Systems
- Structural Management Systems
- Energy and Nuclear Centers
- Communications Systems
- Security Systems
- Factory Applications
- Petro Chemicals
- Healths
- Cements
- Chemicals
- Metallurgy
- Tourism



www.eltepano.com



- ➔ Military Applications
- ➔ Trade Centers
- ➔ Communication Technology
- ➔ Machine Industry



eltepano

bilgi@eltepano.com

Product Solutions



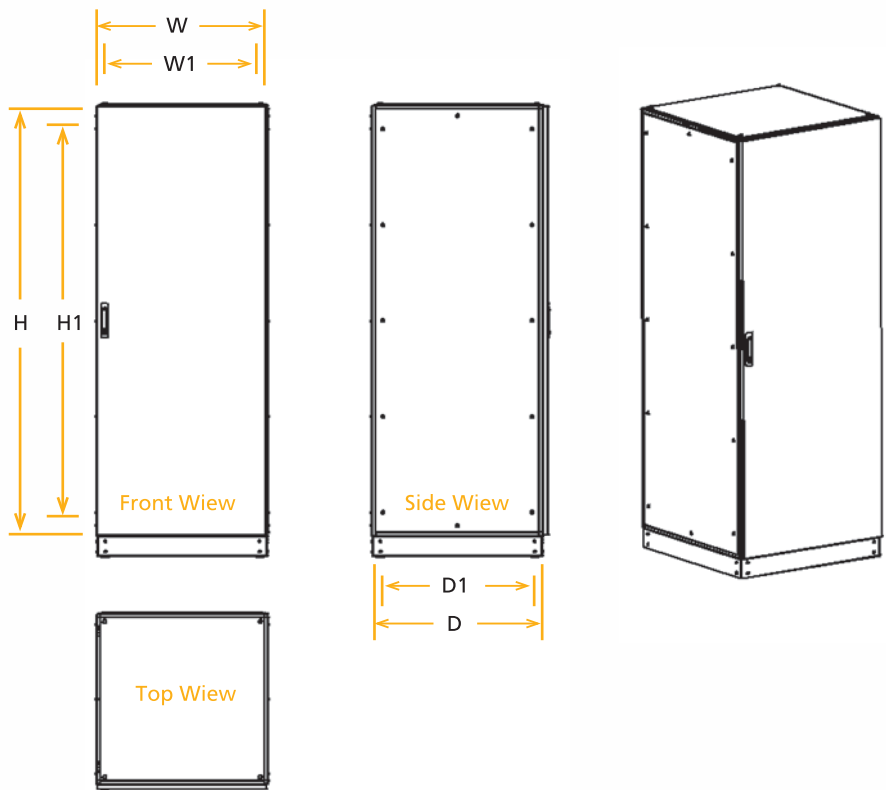
Dimensions,

The Dimension details of SC-Free Standing Enclosures are below.

Base is Excluded.

All Dimension are in mm.

H	Height of Enclosure From Bottom to Top
H1	Height of Inside Between Depth Profiles
W	Width of Enclosure From Right Side to Left Side
W1	Width of Inside Between Depth Profiles
D	Depth of Enclosure From Front to Back
D1	Depth of Inside Between Horizontal Profiles



Standard Configuration

Modules	Quantity	Unit
SDP Vertical Profile	4	Pcs.
SYP Horizontal Profile (for Width)	4	Pcs.
SYP Horizontal Profile (for Depth)	4	Pcs.
SKB Corner Set (for Steel)	8	Pcs.
SMT Mounting Plate (Overall)	1	Pcs.
SUK Top Cover	1	Pcs.
SAP Bottom Plate	1	Set
SAK Rear Cover	1	Pcs.
SYK Side Cover	2	Pcs.
SKP Front Door (Solid)	1	Pcs.
SBZ Base Modul (h:100mm)	1	Set
SCG SC-Grounding Set	1	Set

Optional Equipments,

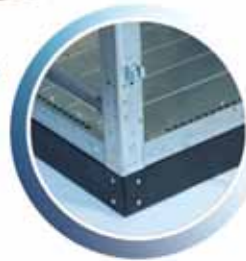
- Front Door Alternatives,
- Fuse Mounting Panels,
- Compact Circuit Breaker Panels (MCCB)
- Compensation Parts,
- Bottom Plate Alternatives,
- Handling Parts,
- Bus-Bar Bracket Parts,
- V/H Separation Panels,
- Eartquake Brackets,
- Ventilation Modules,
- Filter Parts,
- Heater and Thermostat Units,
- Cable Organisers,
- Outdoor Type Rain Canopies,
- Accessories,



Enclosure Solutions

General,

Demontable, Without Welding, Completely Modular Main Structure,
 Sheet Plate, Galvanised and Stainless Steel
 Grounding Continuity,
 Corrosion Resistance,
 Optimum Safety and Enviromental Protection,
 Functional Equipments and Assembling Units,
 Wide Application Space, Different Dimension Alternatives,
 Adaptation to IEC, EN, TS Standarts



Material,

Main Frame; 2,00mm Galvanised Sheet Steel, W-Profile System,
 Covers; 1,20mm Mild Sheet Steel
 Front doors; 2,00mm Mild Sheet Steel
 Inside mounting parts are 1.50mm and 2.00 mm galvanised steel

Surface Processing,

Main Frame and Mounting Plates are from Galvanised Steel,
 Doors and Covers; Pre-phosphated Electrostatic Powder Coating
 Standard color; RAL7032
 Base; Ral 9005
 All other colors are optional
 Front door is opening 135°

IP Protection Class and Safety,

Poliurethane Foamed Gasket on the front door, up to IP 55 ,
 Front door; 4 Point Locking System, All sides can be with 4 Point Locking System
 Side, Back and Top Covers; Demontable , Screwed
 Hidden Hinge System at Doors, Right to Left Exchangeable

Standarts and Compatibility,

ISO 9001,
 Compatibility to TS , EN, IEC Standarts
 TS EN 60529,
 TS EN 62208,
 TS EN 60439-1,
 DIN VDE 0100,



Width x Depth (mm)

W x D (mm)

400x400	400x500	400x600	400x700	400x800	500x400	500x500	500x600	500x700	500x800
---------	---------	---------	---------	---------	---------	---------	---------	---------	---------



width (mm)

height (mm)



h2020

w400						w500				
Depth (D) mm	400	500	600	700	800	400	500	600	700	800
SC Model P/N	SC 20244	SC 20245	SC 20246	SC 20247	SC 20248	SC 20254	SC 20255	SC 20256	SC 20257	SC 20258
Product Weight (kg)										
Shipping Volume (dm ³)										



h1860

Depth (D) mm	400	500	600	700	800	400	500	600	700	800
SC Model P/N	SC 18644	SC 18645	SC 18646	SC 18647	SC 18648	SC 18654	SC 18655	SC 18656	SC 18657	SC 18658
Product Weight (kg)										
Shipping Volume (dm ³)										



h1620

Depth (D) mm	400	500	600	700	800	400	500	600	700	800
SC Model P/N	SC 16244	SC 16245	SC 16246	SC 16247	SC 16248	SC 16254	SC 16255	SC 16256	SC 16257	SC 16258
Product Weight (kg)										
Shipping Volume (dm ³)										



h1460

Depth (D) mm	400	500	600	700	800	400	500	600	700	800
SC Model P/N	SC 14644	SC 14645	SC 14646	SC 14647	SC 14648	SC 14654	SC 14655	SC 14656	SC 14657	SC 14658
Product Weight (kg)										
Shipping Volume (dm ³)										



Enclosure Solutions

Width x Depth (mm)

W x D (mm)

600x400	600x500	600x600	600x700	600x800	700x400	700x500	700x600	700x700	700x800	700x400	700x500	700x600	700x700	700x800
w600					w700					w800				
400	500	600	700	800	400	500	600	700	800	400	500	600	700	800
SC 20264	SC 20265	SC 20266	SC 20267	SC 20268	SC 20274	SC 20275	SC 20276	SC 20277	SC 20278	SC 20274	SC 20275	SC 20276	SC 20277	SC 20278

400	500	600	700	800	400	500	600	700	800	400	500	600	700	800
SC 18664	SC 18665	SC 18666	SC 18667	SC 18668	SC 18674	SC 18675	SC 18676	SC 18677	SC 18678	SC 18674	SC 18675	SC 18676	SC 18677	SC 18678

400	500	600	700	800	400	500	600	700	800	400	500	600	700	800
SC 16264	SC 16265	SC 16266	SC 16267	SC 16268	SC 16274	SC 16275	SC 16276	SC 16277	SC 16278	SC 16274	SC 16275	SC 16276	SC 16277	SC 16278

400	500	600	700	800	400	500	600	700	800	400	500	600	700	800
SC 14664	SC 14665	SC 14666	SC 14667	SC 14668	SC 14674	SC 14675	SC 14676	SC 14677	SC 14678	SC 14674	SC 14675	SC 14676	SC 14677	SC 14678

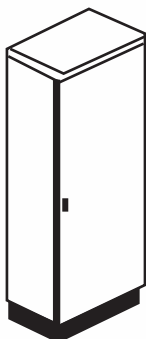


H= 2020 mm

h2020

Free Standing Modular Enclosures

P/N	Width (W) mm	Depth (D) mm	Inside Usable Area (W1*H1) mm	Inside Mounting Depth (D1) mm	Packaging Dimensions (Ph*Pw*Pd) mm	Shipping Weight (W) kg	Shipping Volume (V) dm ³
SC 20244		400	282*1925	290	2150*450*450	87	375
SC 20245		500	282*1925	390	2150*450*550	92	461
SC 20246	400	600	282*1925	490	2150*450*650	97	548
SC 20247		700	282*1925	590	2150*450*750	103	635
SC 20248		800	282*1925	690	2150*450*850	113	723
SC 20254		400	382*1925	290	2150*550*450	97	466
SC 20255		500	382*1925	390	2150*550*550	103	574
SC 20256	500	600	382*1925	490	2150*550*650	108	683
SC 20257		700	382*1925	590	2150*550*750	113	790
SC 20258		800	382*1925	690	2150*550*850	124	900
SC 20264		400	482*1925	290	2150*650*450	108	466
SC 20265		500	482*1925	390	2150*650*550	114	574
SC 20266	600	600	482*1925	490	2150*650*650	120	683
SC 20267		700	482*1925	590	2150*650*750	125	790
SC 20268		800	482*1925	690	2150*650*850	136	900
SC 20274		400	582*1925	290	2150*750*450	118	650
SC 20275		500	582*1925	390	2150*750*550	124	800
SC 20276	700	600	582*1925	490	2150*750*650	130	950
SC 20277		700	582*1925	590	2150*750*750	136	1101
SC 20278		800	582*1925	690	2150*750*850	147	1253
SC 20284		400	682*1925	290	2150*850*450	133	740
SC 20285		500	682*1925	390	2150*850*550	140	913
SC 20286	800	600	682*1925	490	2150*850*650	146	1085
SC 20287		700	682*1925	590	2150*850*750	152	1257
SC 20288		800	682*1925	690	2150*850*850	164	1429



SC Standard Configuration Moduls		Quantity	Unit
SDP	Vertical Profile	4	Pcs.
SYP	Horizontal Profile (for Width)	4	Pcs.
SYP	Horizontal Profile (for Depth)	4	Pcs.
SKB	Corner Set (for Steel)	8	Pcs.
SUK	Top Cover	1	Pcs.
SAP	Bottom Plate	1	Set
SAK	Rear Cover	1	Pcs.
SYK	Side Cover	2	Pcs.
SKP	Front Door (Solid)	1	Pcs.
SBZ	Base Modul (h:100mm)	1	Set
SMT	Mounting Plate (overall)	1	Pcs.
SCG	SC-Grounding Set	1	Pcs.



Enclosure Solutions

SC

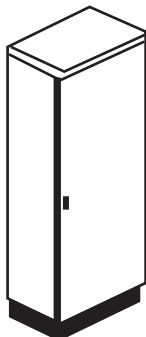
MODULAR FREE STANDING ENCLOSURES

H= 1860 mm

h1860

Free Standing Modular Enclosures

P/N	Width (W) mm	Depth (D) mm	Inside Usable Area (W1*H1) mm	Inside Mounting Depth (D1) mm	Packaging Dimensions (Ph*Pw*Pd) mm	Shipping Weight (W) kg	Shipping Volume (V) dm ³
SC 18644		400	282*1755	290	1990*450*450	81	346
SC 18645		500	282*1755	390	1990*450*550	86	427
SC 18646	400	600	282*1755	490	1990*450*650	91	507
SC 18647		700	282*1755	590	1990*450*750	86	588
SC 18648		800	282*1755	690	1990*450*850	106	668
SC 18654		400	382*1755	290	1990*550*450	90	430
SC 18655		500	382*1755	390	1990*550*550	95	531
SC 18656	500	600	382*1755	490	1990*550*650	100	631
SC 18657		700	382*1755	590	1990*550*750	106	732
SC 18658		800	382*1755	690	1990*550*850	116	832
SC 18664		400	482*1755	290	1990*650*450	101	515
SC 18665		500	482*1755	390	1990*650*550	106	635
SC 18666	600	600	482*1755	490	1990*650*650	111	755
SC 18667		700	482*1755	590	1990*650*750	117	875
SC 18668		800	482*1755	690	1990*650*850	128	995
SC 18674		400	582*1755	290	1990*750*450	110	600
SC 18675		500	582*1755	390	1990*750*550	115	740
SC 18676	700	600	582*1755	490	1990*750*650	121	880
SC 18677		700	582*1755	590	1990*750*750	127	1019
SC 18678		800	582*1755	690	1990*750*850	138	1158
SC 18684		400	682*1755	290	1990*850*450	124	685
SC 18685		500	682*1755	390	1990*850*550	130	844
SC 18686	800	600	682*1755	490	1990*850*650	136	1003
SC 18687		700	682*1755	590	1990*850*750	142	1162
SC 18688		800	682*1755	690	1990*850*850	154	1322



SC Standard Configuration Moduls

Moduls		Quantity	Unit
SDP	Vertical Profile	4	Pcs.
SYP	Horizontal Profile (for Width)	4	Pcs.
SYP	Horizontal Profile (for Depth)	4	Pcs.
SKB	Corner Set (for Steel)	8	Pcs.
SUK	Top Cover	1	Pcs.
SAP	Bottom Plate	1	Set
SAK	Rear Cover	1	Pcs.
SYK	Side Cover	2	Pcs.
SKP	Front Door (Solid)	1	Pcs.
SBZ	Base Modul (h:100mm)	1	Set
SMT	Mounting Plate (overall)	1	Pcs.
SCG	SC-Grounding Set	1	Pcs.

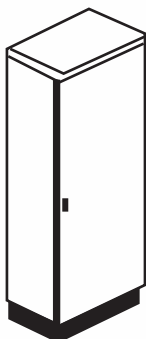


H= 1620 mm

Free Standing Modular Enclosures

h1620

P/N	Width (W) mm	Depth (D) mm	Inside Usable Area (W1*H1) mm	Inside Mounting Depth (D1) mm	Packaging Dimensions (Ph*Pw*Pd) mm	Shipping Weight (W) kg	Shipping Volume (V) dm ³
SC 16244		400	282*1525	290	1750*450*450	72	304
SC 16245		500	282*1525	390	1750*450*550	77	375
SC 16246	400	600	282*1525	490	1750*450*650	81	445
SC 16247		700	282*1525	590	1750*450*750	86	516
SC 16248		800	282*1525	690	1750*450*850	96	587
SC 16254		400	382*1525	290	1750*550*450	81	378
SC 16255		500	382*1525	390	1750*550*550	85	466
SC 16256	500	600	382*1525	490	1750*550*650	90	554
SC 16257		700	382*1525	590	1750*550*750	95	642
SC 16258		800	382*1525	690	1750*550*850	105	730
SC 16264		400	482*1525	290	1750*650*450	90	453
SC 16265		500	482*1525	390	1750*650*550	95	558
SC 16266	600	600	482*1525	490	1750*650*650	100	663
SC 16267		700	482*1525	590	1750*650*750	105	768
SC 16268		800	482*1525	690	1750*650*850	115	874
SC 16274		400	582*1525	290	1750*750*450	98	527
SC 16275		500	582*1525	390	1750*750*550	103	650
SC 16276	700	600	582*1525	490	1750*750*650	109	772
SC 16277		700	582*1525	590	1750*750*750	114	895
SC 16278		800	582*1525	690	1750*750*850	125	1017
SC 16284		400	682*1525	290	1750*850*450	111	601
SC 16285		500	682*1525	390	1750*850*550	117	741
SC 16286	800	600	682*1525	490	1750*850*650	123	881
SC 16287		700	682*1525	590	1750*850*750	128	1021
SC 16288		800	682*1525	690	1750*850*850	139	1160



SC Standard Configuration Moduls		Quantity	Unit
SDP	Vertical Profile	4	Pcs.
SYP	Horizontal Profile (for Width)	4	Pcs.
SYP	Horizontal Profile (for Depth)	4	Pcs.
SKB	Corner Set (for Steel)	8	Pcs.
SUK	Top Cover	1	Pcs.
SAP	Bottom Plate	1	Set
SAK	Rear Cover	1	Pcs.
SYK	Side Cover	2	Pcs.
SKP	Front Door (Solid)	1	Pcs.
SBZ	Base Modul (h:100mm)	1	Set
SMT	Mounting Plate (overall)	1	Pcs.
SCG	SC-Grounding Set	1	Pcs.





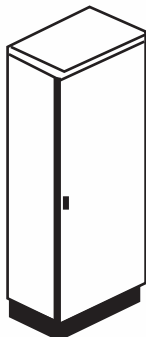
Enclosure Solutions

H= 1460 mm

h1460

Free Standing Modular Enclosures

P/N	Width (W) mm	Depth (D) mm	Inside Usable Area (W1*H1) mm	Inside Mounting Depth (D1) mm	Packaging Dimensions (Ph*Pw*Pd) mm	Shipping Weight (W) kg	Shipping Volume (V) dm ³
SC 14644		400	282*1375	290	1575*450*450	67	276
SC 14645		500	282*1375	390	1575*450*550	71	340
SC 14646	400	600	282*1375	490	1575*450*650	75	404
SC 14647		700	282*1375	590	1575*450*750	79	468
SC 14648		800	282*1375	690	1575*450*850	89	532
SC 14654		400	382*1375	290	1575*550*450	74	343
SC 14655		500	382*1375	390	1575*550*550	79	423
SC 14656	500	600	382*1375	490	1575*550*650	83	503
SC 14657		700	382*1375	590	1575*550*750	87	583
SC 14658		800	382*1375	690	1575*550*850	97	663
SC 14664		400	482*1375	290	1575*650*450	83	410
SC 14665		500	482*1375	390	1575*650*550	87	506
SC 14666	600	600	482*1375	490	1575*650*650	92	602
SC 14667		700	482*1375	590	1575*650*750	97	697
SC 14668		800	482*1375	690	1575*650*850	107	793
SC 14674		400	582*1375	290	1575*750*450	90	478
SC 14675		500	582*1375	390	1575*750*550	95	589
SC 14676	700	600	582*1375	490	1575*750*650	100	700
SC 14677		700	582*1375	590	1575*750*750	105	812
SC 14678		800	582*1375	690	1575*750*850	115	923
SC 14684		400	682*1375	290	1575*850*450	103	546
SC 14685		500	682*1375	390	1575*850*550	109	672
SC 14686	800	600	682*1375	490	1575*850*650	114	799
SC 14687		700	682*1375	590	1575*850*750	119	926
SC 14688		800	682*1375	690	1575*850*850	130	1053



SC Moduls	Standard Configuration	Quantity	Unit
SDP	Vertical Profile	4	Pcs.
SYP	Horizontal Profile (for Width)	4	Pcs.
SYP	Horizontal Profile (for Depth)	4	Pcs.
SKB	Corner Set (for Steel)	8	Pcs.
SUK	Top Cover	1	Pcs.
SAP	Bottom Plate	1	Set
SAK	Rear Cover	1	Pcs.
SYK	Side Cover	2	Pcs.
SKP	Front Door (Solid)	1	Pcs.
SBZ	Base Modul (h:100mm)	1	Set
SMT	Mounting Plate (overall)	1	Pcs.
SCG	SC-Grounding Set	1	Pcs.



SC PRODUCT STRUCTURE

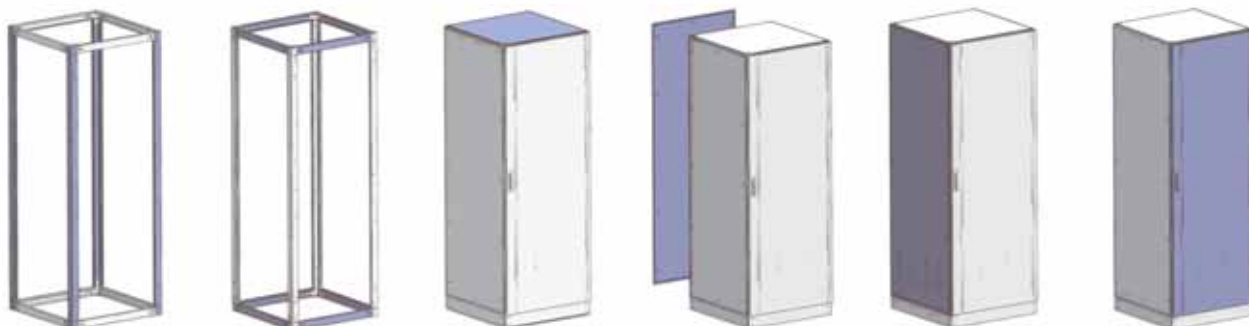
Base Product Parts

Component Description	
SDP	Vertical Profiles
SYP	Horizontal Profiles
SKB	Corner Set (for Steel)
SUK	Top Covers (Solid)
SUA	Top Covers (for Ventilations)
SAK	Rear Covers (Solid)
SAA	Rear Covers (for Ventilations)
SYK	Side Covers (Solid)
SYA	Side Covers (for Ventilations)
SKP	Front Doors (Solid)
SKC	Front Doors (for Frame Glased)
SKA	Front Doors (for Ventilations)
STK	Handling Parts
SMT	Mounting Plates (Overall)
SMP	Mounting Plates (Sectional)
SLP	Inside Mounting Profiles, (L-Profiles)
SUD	Inside Mounting Profiles (for Depth)
SBL	Division Panels
SPH	H-Profile (for Cover Plate)
SPW	W-Profile
SFR	Cover Plates
SAP	Bottom Plates
SBZ	Base Modules

Sub - Product Parts

Component Description	
SPB	Panel Brackets
SCG	SC-Grounding Sets
SFR	Fuse Panels
SFP	Cover Plates (for Fuse Panels)
SCP	Cover Plates (for Contactor Panels)
SHC	Compact Circuit Breaker Panels
SHP	Cover Plates (for Compact Circuit Brakers)
SVC	Vertical Compact Circuit Breaker Panels
SVP	Cover Plates (for Vertical)
SMM	MasterPack Panels
SAT	Transformer Panels
SKN	Condansator Panels
SKR	Condansator Shelves

Vertical Profiles	Horizontal Profiles	Top Covers	Rear Covers	Side Covers	Front Doors
SDP	SYP	SUK	SAK, SBK	SYK	SK..(P, A, C)

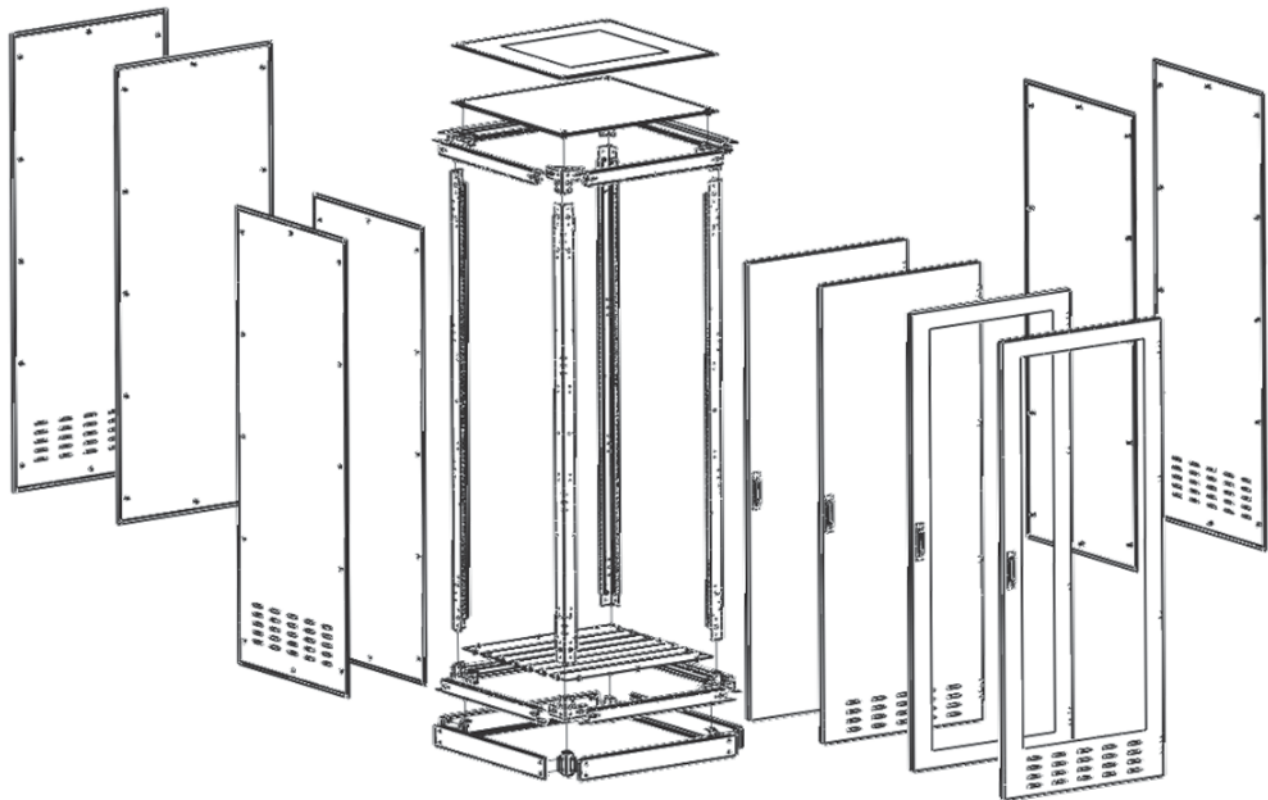




Enclosure Solutions

SC
MODULAR FREE STANDING ENCLOSURES

SC PRODUCT STRUCTURE



Inside Mounting Profiles	Mounting Plates (Overall)	Mounting Plates (Sectional)	Base Modules (h: 100 mm)	Bottom Plates	Handling Parts
SLP, SUD	SMT	SMP	SBZ	SAP	STK





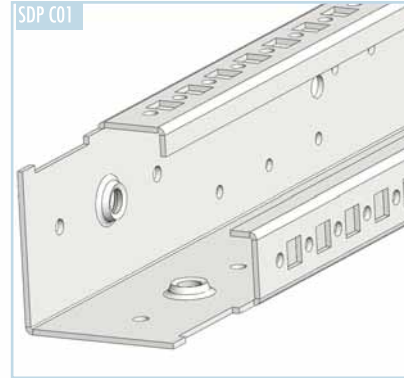
SDP

Vertical Profiles

t=2,00mm, Galvanized Sheet Steel, W-Profile

P/N	Profile Dimension (H) mm	Quantity (Pcs.)	Weight (kg)
SDP 0014	1460	4	
SDP 0016	1620	4	
SDP 0018	1860	4	
SDP 0020	2020	4	

SDP C01



SYP

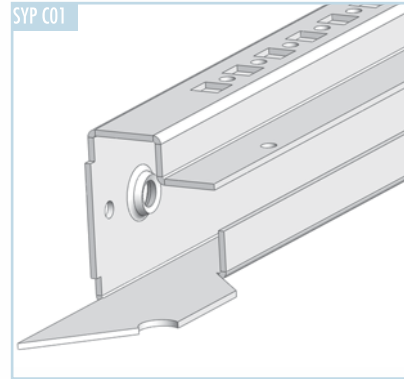
Horizontal Profiles

t=2,00mm, Galvanized Sheet Steel, W-Profile



P/N	Profile Dimension (W/D) mm	Quantity (Pcs.)	Weight (kg)
SYP 0040	400	4	
SYP 0050	500	4	
SYP 0060	600	4	
SYP 0070	700	4	

SYP C01



Modul Scope	Quantity	Unit
SDP Vertical Profiles	4	Pcs
SYP Horizontal Profiles (W)	4	Pcs
SYP Horizontal Profiles (D)	4	Pcs
SKB Corner Set	4	Pcs



- t=2,00mm ,
- Pre-galvanised sheet steel
- Width horizontal profiles and depth horizontal profiles are exchangeable .
- Main frame is designed for providing high mechanical strength for lifetime.
- Grounding continuity is provided by special corner part design.





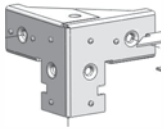
Enclosure Solutions



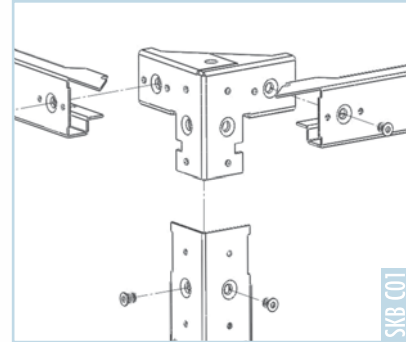
MODULAR FREE STANDING ENCLOSURES

SKB

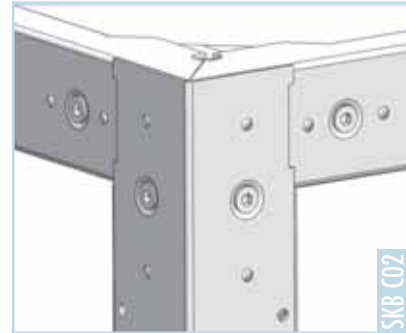
Corner Set (for STEEL) t=3,00mm, Galvanized Sheet, Special Part



P/N	Description	Quantity (Pcs.)
SKB 0820	t=3mm Corner Part (Steel)	1
	M8*10 mm Allen Bolt	4



SKB C01

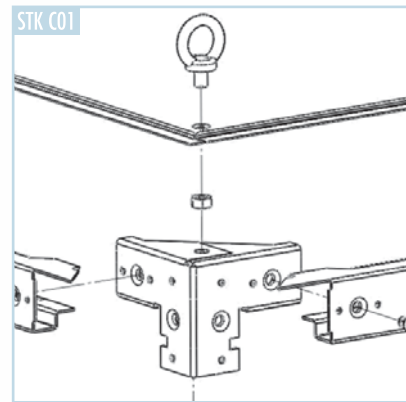


SKB C02

STK

Handling and Lifting Parts

P/N	Description	Quantity (Pcs.)
STK 1225	M10 mm Eye Bolt	4
	M10 Spring Lock Washer	4



STK C01



STK C01



SC Free Standing Sub-Products and MODULES

All Dimensions are in (mm),

SUK

Top Covers (Solid)

t=1,20mm Sheet Steel, Powder Coating, Screwed



Module Scope	Quantity
SUK Top Cover (Solid)	1
M10*20 mm Hexagon Bolt	4
M10 Spring Lock Washer	4

P/N	Width (W) mm	Depth (D) mm	Quantity (Pcs)
SUK 4040	400	400	1
SUK 4050		500	1
SUK 4060		600	1
SUK 4070		700	1
SUK 4080		800	1
SUK 5040	500	400	1
SUK 5050		500	1
SUK 5060		600	1
SUK 5070		700	1
SUK 5080		800	1
SUK 6040	600	400	1
SUK 6050		500	1
SUK 6060		600	1
SUK 6070		700	1
SUK 6080		800	1
SUK 7040	700	400	1
SUK 7050		500	1
SUK 7060		600	1
SUK 7070		700	1
SUK 7080		800	1
SUK 8040	800	400	1
SUK 8050		500	1
SUK 8060		600	1
SUK 8070		700	1
SUK 8080		800	1

SUA

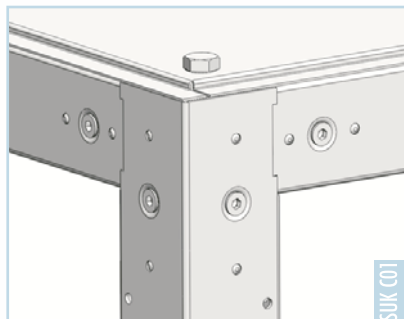
Top Covers (for VENTILATIONS)

t=1,20mm Sheet Steel, Powder Coating, Screwed



Module Scope	Quantity
SUA Top Cover (for Ventilation)	1
M10*20 mm Hexagon Bolt	4
M10 Spring Lock Washer	4

P/N	Width (W) mm	Depth (D) mm	Quantity (Pcs)
SUA 4040	400	400	1
SUA 4050		500	1
SUA 4060		600	1
SUA 4070		700	1
SUA 4080		800	1
SUA 5040	500	400	1
SUA 5050		500	1
SUA 5060		600	1
SUA 5070		700	1
SUA 5080		800	1
SUA 6040	600	400	1
SUA 6050		500	1
SUA 6060		600	1
SUA 6070		700	1
SUA 6080		800	1
SUA 7040	700	400	1
SUA 7050		500	1
SUA 7060		600	1
SUA 7070		700	1
SUA 7080		800	1
SUA 8040	800	400	1
SUA 8050		500	1
SUA 8060		600	1
SUA 8070		700	1
SUA 8080		800	1



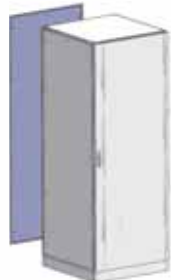
SUK C01

- t=1,20mm, Mild Steel
- Electrostatic Powder Coated,
- Standard Colour Ral 7032
- Top Covers are suitable for Fan Modules, Cable Organizer Modules and other Special Modules.
- Eyebolts are Screwed to Main Frame, from the Holes at the Top Covers.
- Screwing Points Provide Grounding Continuity
- IP Protection Class is Provided by Poliurethane Gasket Foam on the Covers.

SC Free Standing Sub-Products and MODULES

All Dimensions are in (mm),


SAK Rear Covers (Solid) t=1,20mm Sheet Steel, Powder Coating, Screwed



Module Scope	Quantity
SAK Rear Cover (Solid)	1
M6*12 mm Top Type Screw	10

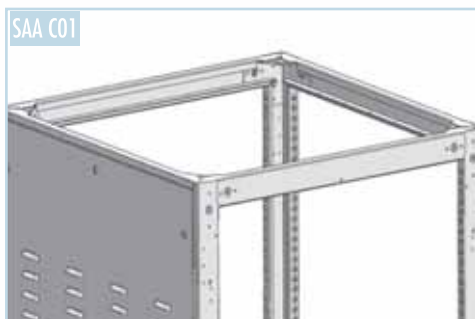
P/N	Width (W) mm	Depth (D) mm	Quantity (Pcs)
SAK 1440	1460	400	1
SAK 1450		500	1
SAK 1460		600	1
SAK 1470		700	1
SAK 1480		800	1
SAK 1640	1620	400	1
SAK 1650		500	1
SAK 1660		600	1
SAK 1670		700	1
SAK 1680		800	1
SAK 1840	1860	400	1
SAK 1850		500	1
SAK 1860		600	1
SAK 1870		700	1
SAK 1880		800	1
SAK 2040	2020	400	1
SAK 2050		500	1
SAK 2060		600	1
SAK 2070		700	1
SAK 2080		800	1

SUA Rear Covers (for VENTILATIONS) t=1,20mm Sheet Steel, Powder Coating, Screwed



Module Scope	Quantity
SAK Rear Cover (Solid)	1
M6*12 mm Top Type Screw	10

P/N	Width (W) mm	Depth (D) mm	Quantity (Pcs)
SAA 1440	1460	400	1
SAA 1450		500	1
SAA 1460		600	1
SAA 1470		700	1
SAA 1480		800	1
SAA 1640	1620	400	1
SAA 1650		500	1
SAA 1660		600	1
SAA 1670		700	1
SAA 1680		800	1
SAA 1840	1860	400	1
SAA 1850		500	1
SAA 1860		600	1
SAA 1870		700	1
SAA 1880		800	1
SAA 2040	2020	400	1
SAA 2050		500	1
SAA 2060		600	1
SAA 2070		700	1
SAA 2080		800	1



- t=1,20mm, Mild Steel
- Electrostatic Powder Coated,
- Standard Colour Ral 7032
- Rear Covers are suitable for Fan Modules, Cable Organizer Modules and other Special Modules.
- Screwing Points Provide Grounding Continuity
- IP Protection Class is Provided by Poliurethane Gasket Foam on the Covers.



SC Free Standing Sub-Products and MODULES

All Dimensions are in (mm),

SYK Side Covers (Solid) t=1,20mm Sheet Steel, Powder Coating, Screwed

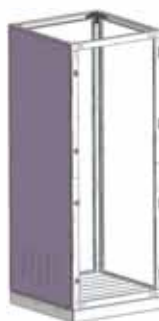


Modul Scope	Quantity
SYK Side Cover (Solid)	1
M6*12 mm Top Type Screw	8

P/N	Height (H) mm	Width (W) mm	Quantity (Pcs)
SYK 1440	1460	400	1
SYK 1450		500	1
SYK 1460		600	1
SYK 1470		700	1
SYK 1480		800	1
SYK 1640	1620	400	1
SYK 1650		500	1
SYK 1660		600	1
SYK 1670		700	1
SYK 1680		800	1
SYK 1840	1860	400	1
SYK 1850		500	1
SYK 1860		600	1
SYK 1870		700	1
SYK 1880		800	1
SYK 2040	2020	400	1
SYK 2050		500	1
SYK 2060		600	1
SYK 2070		700	1
SYK 2080		800	1

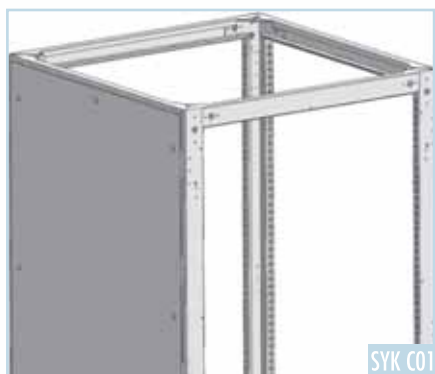


SYA Side Covers (for VENTILATIONS) t=1,20mm Sheet Steel, Powder Coating, Screwed



Modul Scope	Quantity
SYA Side Cover (Solid)	1
M6*12 mm Top Type Screw	8

P/N	Width (W) mm	Depth (D) mm	Quantity (Pcs)
SYA 1440	1460	400	1
SYA 1450		500	1
SYA 1460		600	1
SYA 1470		700	1
SYA 1480		800	1
SYA 1640	1620	400	1
SYA 1650		500	1
SYA 1660		600	1
SYA 1670		700	1
SYA 1680		800	1
SYA 1840	1860	400	1
SYA 1850		500	1
SYA 1860		600	1
SYA 1870		700	1
SYA 1880		800	1
SYA 2040	2020	400	1
SYA 2050		500	1
SYA 2060		600	1
SYA 2070		700	1
SYA 2080		800	1



- t=1,20mm, Mild Steel
- Electrostatic Powder Coated,
- Standard Colour Ral 7032
- Side Covers are suitable for Fan Modules, Cable Organizer Modules and other Special Modules.
- Screwing Points Provide Grounding Continuity
- IP Protection Class is Provided by Poliurethane Gasket Foam on the Covers.



SC Free Standing Sub-Products and MODULES

All Dimensions are in (mm),

SKP

Front Doors (Solid)

t=2,00mm Sheet Steel, Powder Coating, Screwed



Modul Scope	Quantity
SKP Front Door (Solid)	1
135° Hidden Hinge Set	4
Swing Handle Set	1

P/N	Height (H) mm	Width (W) mm	Quantity (Pcs)
SKP 1440	1460	400	1
SKP 1450		500	1
SKP 1460		600	1
SKP 1470		700	1
SKP 1480		800	1
SKP 1640	1620	400	1
SKP 1650		500	1
SKP 1660		600	1
SKP 1670		700	1
SKP 1680		800	1
SKP 1840	1860	400	1
SKP 1850		500	1
SKP 1860		600	1
SKP 1870		700	1
SKP 1880		800	1
SKP 2040	2020	400	1
SKP 2050		500	1
SKP 2060		600	1
SKP 2070		700	1
SKP 2080		800	1



SKA

Front Doors (Solid)

t=2,00mm Sheet Steel, Powder Coating, Screwed



Modul Scope	Quantity
SKA Front Door (Solid)	1
135° Hidden Hinge Set	4
Swing Handle Set	1

P/N	Height (H) mm	Width (W) mm	Quantity (Pcs)
SKA 1440	1460	400	1
SKA 1450		500	1
SKA 1460		600	1
SKA 1470		700	1
SKA 1480		800	1
SKA 1640	1620	400	1
SKA 1650		500	1
SKA 1660		600	1
SKA 1670		700	1
SKA 1680		800	1
SKA 1840	1860	400	1
SKA 1850		500	1
SKA 1860		600	1
SKA 1870		700	1
SKA 1880		800	1
SKA 2040	2020	400	1
SKA 2050		500	1
SKA 2060		600	1
SKA 2070		700	1
SKA 2080		800	1



t=2,00mm Mild Steel,

Electrostatic Powder Coated

Standard Colour, Ral 7032 ,

Front Doors are Strengthened by the Profiles Inside

Front doors are Suitable for ; Bottom- Top Ventilation - Filter Module, Frame-Glass Modules and the Other Modules.

Four Pieces Hidden Hinges are Used.

Front Doors are Exchangeable Right to Left

Front Doors can Open 135°

The Doors are Locked From 4 Points Special System to the Main Frame

Grounding is Provided by Grounding Set at the Bottom of the Doors

IP Protection Class is Provided by Poliurethane Gasket Foam on the Doors



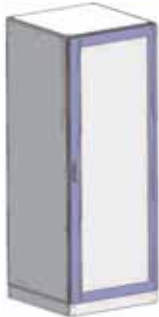


SC Free Standing Sub-Products and MODULES

All Dimensions are in (mm),

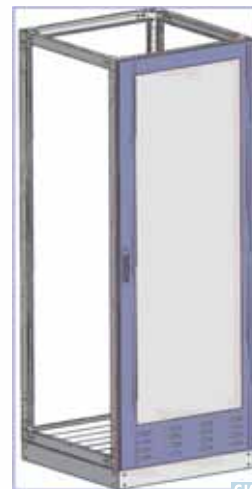
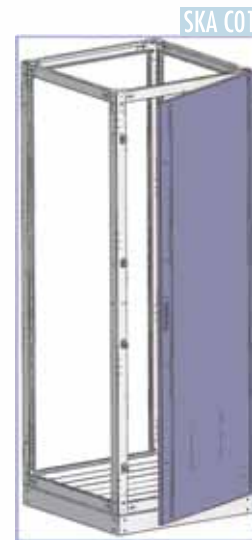
SKC Front Doors (FRAMED for Glassed)

t=2,00mm Sheet Steel, Powder Coating, Screwed



Module Scope	Quantity
SKC Front Door (Solid)	1
135° Hidden Hinge Set	4
Swing Handle Set	1
SCG 1*6 mm2 Grounding Set	1

P/N	Height (H) mm	Width (W) mm	Quantity (Pcs)
SKC 1440	1460	400	1
SKC 1450		500	1
SKC 1460		600	1
SKC 1470		700	1
SKC 1480		800	1
SKC 1640	1620	400	1
SKC 1650		500	1
SKC 1660		600	1
SKC 1670		700	1
SKC 1680		800	1
SKC 1840	1860	400	1
SKC 1850		500	1
SKC 1860		600	1
SKC 1870		700	1
SKC 1880		800	1
SKC 2040	2020	400	1
SKC 2050		500	1
SKC 2060		600	1
SKC 2070		700	1
SKC 2080		800	1



SKC C02

t=2,00mm Mild Steel,

Electrostatic Powder Coated

Standard Colour, Ral 7032 ,

Front Doors are Strengthened by the Profiles Inside

Front doors are Suitable for ; Bottom- Top Ventilation - Filter Module, Frame-Glass Modules and the Other Modules.

Four Pieces Hidden Hinges are Used.

Front Doors are Exchangable Right to Left

Front Doors can Open 135°

The Doors are Locked From 4 Points Special System to the Main Frame

Grounding is Provided by Grounding Set at the Bottom of the Doors

IP Protection Class is Provided by Poliurethane Gasket Foam on the Doors

i



Enclosure Solutions

SC
MODULAR FREE STANDING ENCLOSURES

SC Free Standing Sub-Products and MODULES

All Dimensions are in (mm),



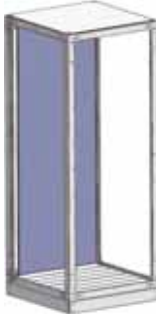
Attention!...
Please Contact with our Sales Department about
Different Types of Doors, Door Modules and Locking
Systems



SC Free Standing Sub-Products and MODULES

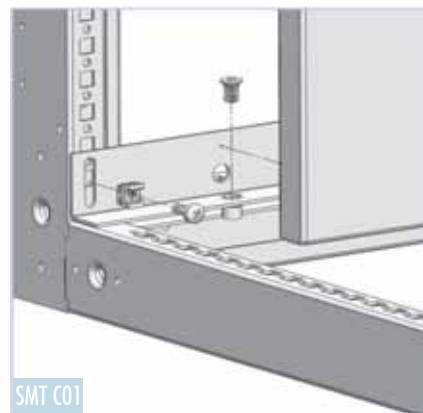
All Dimensions are in (mm),

SMT Mounting Plate (Overall)
t=2,00mm Pre-Galvanized, Screwed



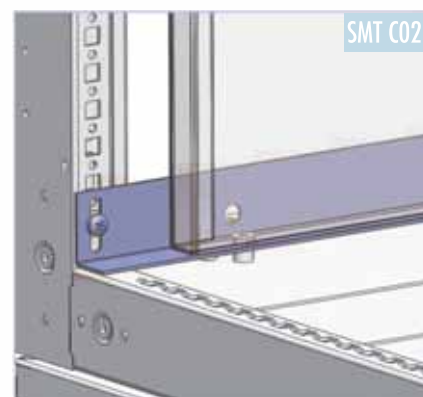
Modul Scope		Quantity
SMT Mounting Plate (Overall)		1
SBP Bracket (for Mounting Plate)		4
M6*12 mm Top Type Screw		2
M8*10 mm Allen Bolt		2

P/N	Height (H) mm	Width (W) mm	Quantity (Pcs)
SMT 1440	1460	400	1
SMT 1450		500	1
SMT 1460		600	1
SMT 1470		700	1
SMT 1480		800	1
SMT 1640	1620	400	1
SMT 1650		500	1
SMT 1660		600	1
SMT 1670		700	1
SMT 1680		800	1
SMT 1840	1860	400	1
SMT 1850		500	1
SMT 1860		600	1
SMT 1870		700	1
SMT 1880		800	1
SMT 2040	2020	400	1
SMT 2050		500	1
SMT 2060		600	1
SMT 2070		700	1
SMT 2080		800	1



SPB L-Brackets for Mounting Plate
t=1,50mm Pre-Galvanized,

P/N	Width (W) mm	Quantity (Pcs)
SPB 0400	400	2
SPB 0500	500	2
SPB 0600	600	2
SPB 0700	700	2
SPB 0800	800	2



- t=2mm Pre-galvanized Steel
- From the Bottom and Top of the Enclosure it can be Mounted to any Place along Depth
- Mounting Plates are Movable



Enclosure Solutions

SC Free Standing Sub-Products and MODULES

All Dimensions are in (mm),

SMP

Mounting Plate (Partial)

t=1,50 mm Pre-Galvanized, Screwed

Module Scope	Quantity
SMP Mounting Plate (Partial)	1
SBP Bracket for Mounting Plate	4



P/N	Height (H) mm	Width (W) mm	Quantity (Pcs)
SMP 1640	160	400	1
SMP 1650		500	1
SMP 1660		600	1
SMP 1670		700	1
SMP 1680		800	1
SMP 2440	240	400	1
SMP 2450		500	1
SMP 2460		600	1
SMP 2470		700	1
SMP 2480		800	1
SMP 3240	320	400	1
SMP 3250		500	1
SMP 3260		600	1
SMP 3270		700	1
SMP 3280		800	1
SMP 4040	400	400	1
SMP 0450		500	1
SMP 4060		600	1
SMP 4070		700	1
SMP 4080		800	1
SMP 5640	560	400	1
SMP 5650		500	1
SMP 5660		600	1
SMP 5670		700	1
SMP 5680		800	1
SMP 6440	640	400	1
SMP 6450		500	1
SMP 6460		600	1
SMP 6470		700	1
SMP 6480		800	1
SMP 7240	720	400	1
SMP 7250		500	1
SMP 7260		600	1
SMP 7270		700	1
SMP 7280		800	1

P/N	Height (H) mm	Width (W) mm	Quantity (Pcs)
SMP 8040	800	400	1
SMP 8050		500	1
SMP 8060		600	1
SMP 8070		700	1
SMP 8080		800	1
SMP 8840	880	400	1
SMP 8850		500	1
SMP 8860		600	1
SMP 8870		700	1
SMP 8880		800	1
SMP 9640	960	400	1
SMP 9650		500	1
SMP 9660		600	1
SMP 9670		700	1
SMP 9680		800	1

Attention!...
Please Contact with our Sales Department about Different Types of Partial Mounting Plates.



SC Free Standing Sub-Products and MODULES

All Dimensions are in (mm),

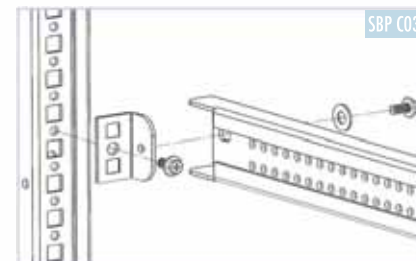
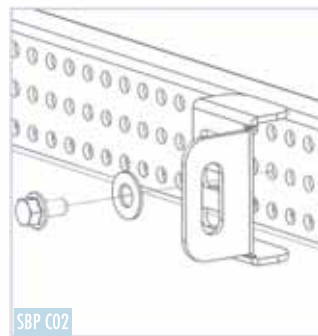
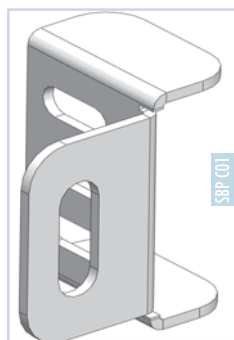
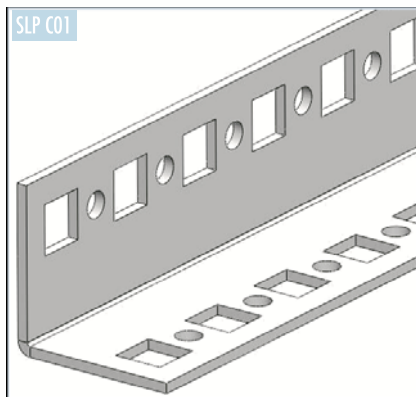
SLP Profiles (for Inside Mounting)

t=1,50mm Pre-Galvanized, Screwed



Module Scope	Quantity
M6*25 mm Top Type Screw	2
M6 Spring Washer	2

P/N	Height (H) mm	Quantity (Pcs)
SLP 0100	100	1
SLP 0200	200	1
SLP 0300	300	1
SLP 0400	400	1
SLP 0500	500	1
SLP 0600	600	1
SLP 0700	700	1
SLP 0800	800	1
SLP 0900	900	1
SLP 1000	1000	1
SLP 1100	1100	1
SLP 1200	1200	1
SLP 1300	1300	1
SLP 1400	1400	1
SLP 1500	1500	1
SLP 1600	1600	1
SLP 1700	1700	1
SLP 1800	1800	1
SLP 1900	1900	1
SLP 2000	2000	1



SBP Brackets (for Inside Mounting)

t=1,50mm Pre-Galvanized,

P/N	Description	Quantity (Pcs)
SBP 0020	SBP - Outside Bracket	1
SBP 0030	SBP - Inside Bracket	1





Enclosure Solutions

SC Free Standing Sub-Products and MODULES

All Dimensions are in (mm),

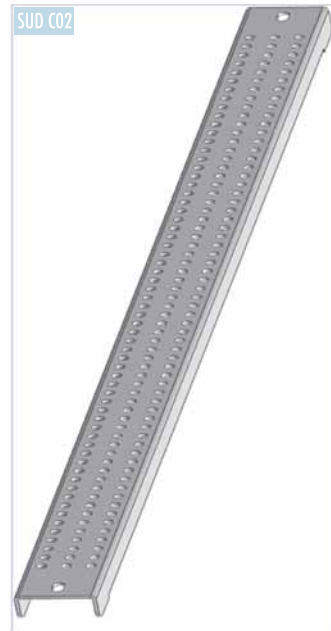
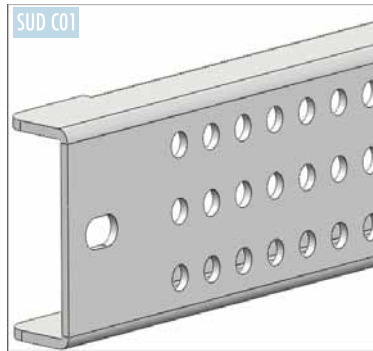
SMP

U-Brass Profiles
t=1,50 mm Pre-Galvanized,



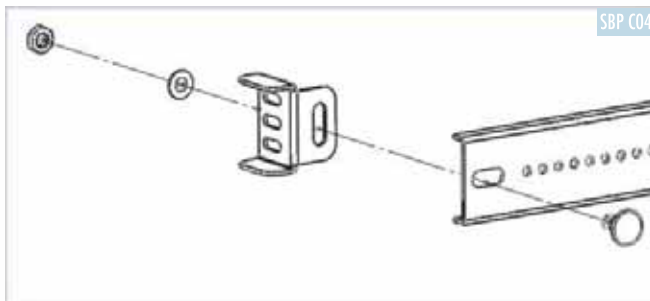
Module Scope	Quantity
SBP Brackets	2
M6*25 Top Type Screw	4
M6 Spring Washer	4

P/N	Depth (D) mm	Quantity (Pcs)
SUD 0300	300	2
SUD 0400	400	2
SUD 0500	500	2
SUD 0600	600	2
SUD 0700	700	2
SUD 0800	800	2
SUD 0900	900	2
SUD 1000	1000	2



SUD C03

SUD C03



SBP C04



SC Free Standing Sub-Products and MODULES

All Dimensions are in (mm),

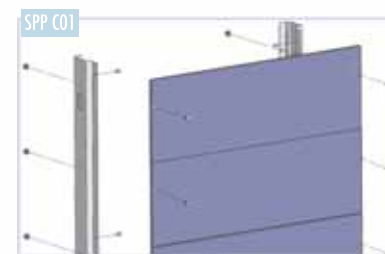
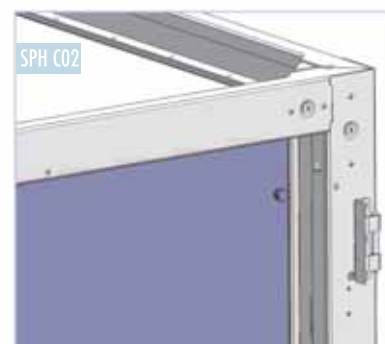
SPH Cover Plate H-Profiles (for left and right)

t=1,20 mm Mild Steel



Module Scope	Quantity
SPH Cover Plate Profiles	2
M6*25 Top Type Screw	12

P/N	Height (H) mm	Quantity (Pcs)
SPH 0014	1460	2
SPH 0016	1620	2
SPH 0018	1860	2
SPH 0020	2020	2



Attention!...
Please Contact with our Sales Department about Different Types Cover Plate Systems.

- t=1,20mm Mild Steel
- Electrostatic Powder Coated,
- Standard colour Ral 7032 ,
- H-Profiles are Cover Plate Fixing Profiles, 2 pieces will be Used, for Left and Right
- H-Profiles are Fixed to Main Frame
- There is Cut-offs at the H-Profile for Cable Organising
- W-Profiles are used for Closing the Holes at the Bottom and the Top
- Cover Sheets will be Fixed to H-Profiles.



Enclosure Solutions

SC Free Standing Sub-Products and MODULES

All Dimensions are in (mm),

SPP Cover Plates (Solid)

t=1,20 mm Mild Steel, Screwed



Module Scope	Quantity
SPP Cover Plate	1
M6*35 mm Screw	2

P/N	Height (H) mm	Width (W) mm	Quantity (Pcs)
SPP 1640	160	400	1
SPP 1650		500	1
SPP 1660		600	1
SPP 1670		700	1
SPP 1680		800	1
SPP 2440	240	400	1
SPP 2450		500	1
SPP 2460		600	1
SPP 2470		700	1
SPP 2480		800	1
SPP 3240	320	400	1
SPP 3250		500	1
SPP 3260		600	1
SPP 3270		700	1
SPP 3280		800	1
SPP 4040	400	400	1
SPP 4050		500	1
SPP 4060		600	1
SPP 4070		700	1
SPP 4080		800	1
SPP 4040	480	400	1
SPP 4050		500	1
SPP 4060		600	1
SPP 4070		700	1
SPP 4080		800	1
SPP 5640	560	400	2
SPP 5650		500	2
SPP 5660		600	2
SPP 5670		700	2
SPP 5680		800	2
SPP 6440	640	400	1
SPP 6450		500	1
SPP 6460		600	1
SPP 6470		700	1
SPP 6480		800	1



- t=1.2 mm Mild Steel
- Electrostatic Powder Coated,
- Standard Colour Ral 7032 ,
- Cover Plates are used for Safety and Protection from Touching to Inside Components
- Cover Plates are Fixing to H-Profiles
- Height is Changable
- Special Cut-offs can Make on Cover-Sheets for MCCB's or Other Special Components



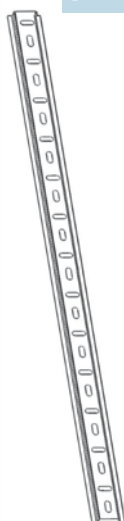
SC Free Standing Sub-Products and MODULES

All Dimensions are in (mm),

SFR

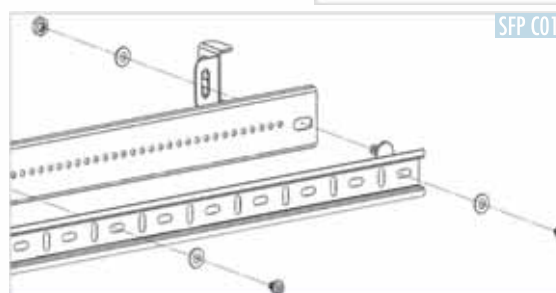
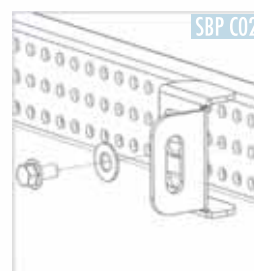
MCB Rails

t=0,80 mm Pre-Galvanized, Screwed



Module Scope	Quantity
SFR Fuse Rail	1
M6*12 Screw	2

P/N	Width (W) mm	Quantity (Pcs)
SFR 0040	400	1
SFR 0050	500	1
SFR 0060	600	1
SFR 0070	700	1
SFR 0080	800	1

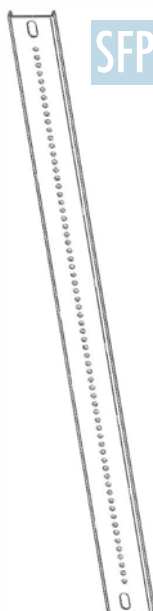


SFP C03

SFP

MCB Plates

t=1,50 mm Pre-Galvanized, Screwed



Modul Scope	Quantity
SFP MCB Plate	1
M6*12 Screw	2
M6 mm Nuts	4
M6 Spring Washer	2

P/N	Width (W) mm	Quantity (Pcs)
SFP 0040	400	1
SFP 0050	500	1
SFP 0060	600	1
SFP 0070	700	1
SFP 0080	800	1

SFP C02





Enclosure Solutions

SC Free Standing Sub-Products and MODULES

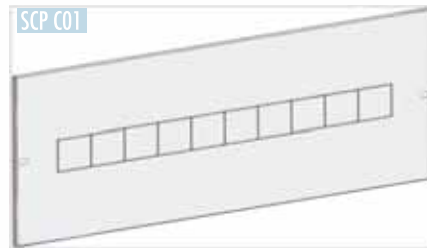
All Dimensions are in (mm),

SCP Cover Plates (MCB Cut-off)

t=1,20 mm Mild Steel, Screwed

Module Scope	Quantity
SFP Cover Plate	1
M6*25 mm Screw	2

P/N	Height (H) mm	Width (W) mm	Quantity (Pcs)
SCP 1640	160	400	1
SCP 1650		500	1
SCP 1660		600	1
SCP 1670		700	1
SCP 1680		800	1



Attention!...
Please Contact with our Sales Department about Different Types of Cover Plates.



SC Free Standing Sub-Products and MODULES

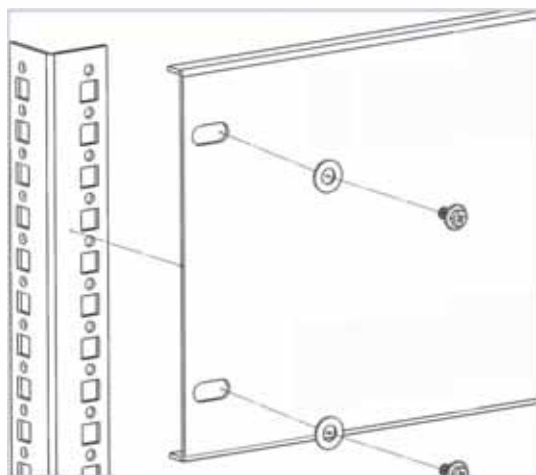
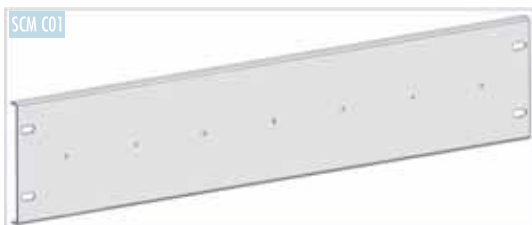
All Dimensions are in (mm),

SCM Contactor Mounting Panels

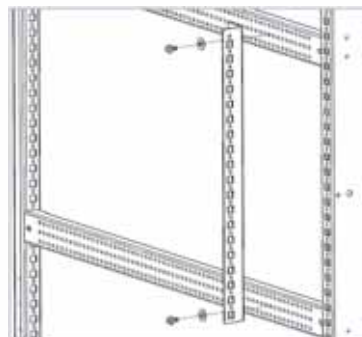
t=1,50 mm Pre-Galvanised, Screwed

Module Scope	Quantity
SCP Contactor Mounting	1
SUP00200 Bracket	4
M8*15 mm Screw	4
M8 mm Nuts	4
M8 Spring Washer	4

P/N	Height (H) mm	Width (W) mm	Quantity (Pcs)
SCM 1540	150	400	1
SCM 1550		500	1
SCM 1560		600	1
SCM 1570		700	1
SCM 1580		800	1



SCM C02



SCM C03



Enclosure Solutions

SC Free Standing Sub-Products and MODULES

All Dimensions are in (mm),

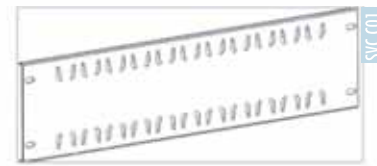
SVC Vertical MCCB Mounting Panels (for Compact Circuits Breakers)

t=1,50 mm Pre-Galvanized, Screwed

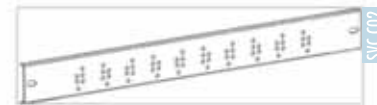
Module Scope	Quantity
SVC Mounting Panel	1
SUP00200 Bracket	4
M8*15 mm Screw	4
M8 mm Nuts	4
M8 Spring Washer	4



P/N	Height (H) mm	Width (W) mm	Quantity (Pcs)	Desc.
SVC 2040	200	400	1	25A - 250A
SVC 2050		500	1	
SVC 2060		600	1	
SVC 2070		700	1	
SVC 2080		800	1	
SVC 1040	100	400	1	400A - 630A
SVC 1050		500	1	
SVC 1060		600	1	
SVC 1070		700	1	
SVC 1080		800	1	
SVC 1540	150	400	1	
SVC 1550		500	1	
SVC 1560		600	1	
SVC 1570		700	1	
SVC 1580		800	1	



SVC C01



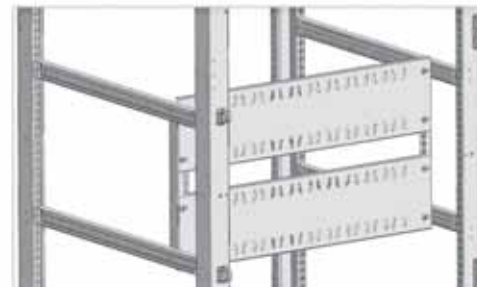
SVC C02



SVC C03



SVC C04



SVC C05



SC Free Standing Sub-Products and MODULES

All Dimensions are in (mm),

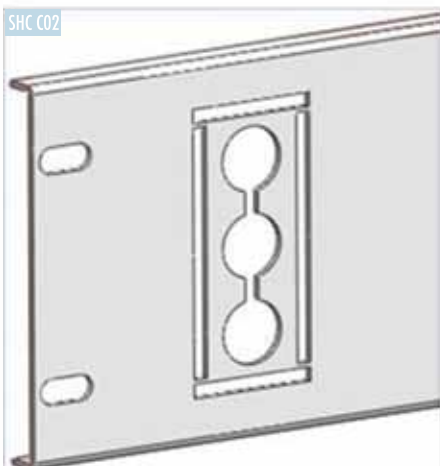
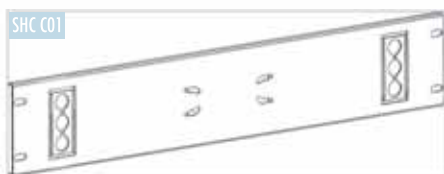
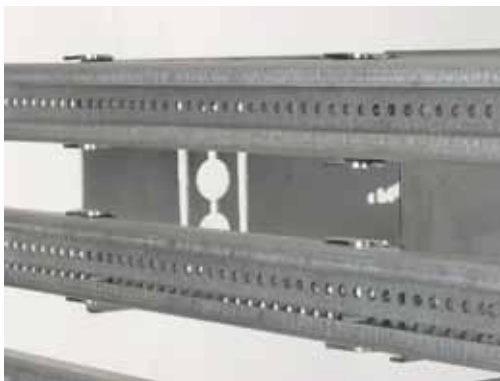
SCM

Horizontal MCCB Mounting Panels (for Compact Circuit Breakers)

t=1,50 mm, Pre-Galvanised, Screwed

Module Scope	Quantity
SHC MCCB Mounting Panel	1
SUP00200 Bracket	4
M8*15 mm Screw	4
M8 mm Nuts	4
M8 Spring Washer	4

P/N	Height (H) mm	Width (W) mm	Quantity (Pcs)
SHC 1540	150	400	1
SHC 1550		500	1
SHC 1560		600	1
SHC 1570		700	1
SHC 1580		800	1





Enclosure Solutions

SC Free Standing Sub-Products and MODULES

All Dimensions are in (mm),

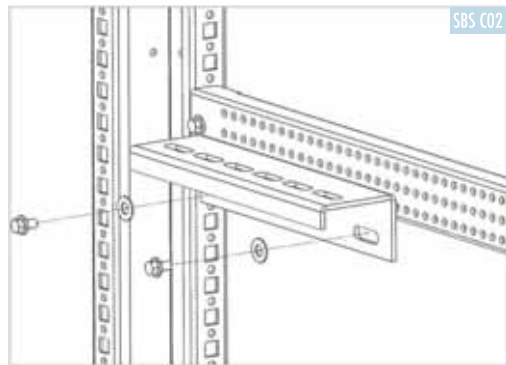
SCM Bus-Bar Support Profiles (for Bus-Bar Mounting)

t=2,00 mm, Pre-Galvanised, Screwed

Module Scope	Quantity
SBC Bus-Bar Support Profile	2
M8*15 mm Screw	4
M8 mm Nuts	4
M8 Spring Washer	4



P/N	Depth (D) mm	Quantity (Pcs)
SBS 0030	300	1
SBS 0040	400	1
SBS 0050	500	1
SBS 0060	600	1
SBS 0070	700	1
SBS 0080	800	1



P/N	Lenght (L) mm	Quantity (Pcs)
SBS 0200	2000	1





SC Free Standing Sub-Products and MODULES

All Dimensions are in (mm),

SPP

Base Modules (h=100 mm)
t=2,00 mm Mild Steel, Powder Coating, Screwed

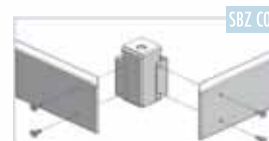


Module Scope	Quantity
SBZ Base Modules	1
M10*25mm Screw	4
M6*12 mm Screw	16



P/N	Width (W) mm	Depth (D) mm	Quantity (Pcs)
SBZ 4040	400	400	1
SBZ 4050		500	1
SBZ 4060		600	1
SBZ 4070		700	1
SBZ 4080		800	1
SBZ 5040		500	400
SBZ 5050	500		1
SBZ 5060	600		1
SBZ 5070	700		1
SBZ 5080	800		1
SBZ 6040	600		400
SBZ 6050		500	1
SBZ 6060		600	1
SBZ 6070		700	1
SBZ 6080		800	1
SBZ 7040		700	400
SBZ 7050	500		1
SBZ 7060	600		1
SBZ 7070	700		1
SBZ 7080	800		1
SBZ 8040	800		400
SBZ 8050		500	1
SBZ 8060		600	1
SBZ 8070		700	1
SBZ 8080		800	1
SBZ 9040		900	400
SBZ 9050	500		1
SBZ 9060	600		1
SBZ 9070	700		1
SBZ 9080	800		1
SBZ 1040	1000		400
SBZ 1050		500	1
SBZ 1060		600	1
SBZ 1070		700	1
SBZ 1080		800	1

P/N	Width (W) mm	Depth (D) mm	Quantity (Pcs)
SBZ 1140	1100	400	1
SBZ 1150		500	1
SBZ 1160		600	1
SBZ 1170		700	1
SBZ 1180		800	1
SBZ 1240		1200	400
SBZ 1250	500		1
SBZ 1260	600		1
SBZ 1270	700		1
SBZ 1280	800		1



Corners t=2.00mm, Sides t=1.20mm,
 Electrostatic Powder Coated
 Standard Colour Ral 9005 Black,
 Completely Modular
 Side Cover are Fixing to Corner Parts
 Corners are Fixing to Main Frame
 Corners are Distributes the Weight Homogenly to the Surface
 Base Module can be Fixed to Surface by Corners



Enclosure Solutions



MODULAR FREE STANDING ENCLOSURES

SC Free Standing Sub-Products and MODULES

All Dimensions are in (mm),

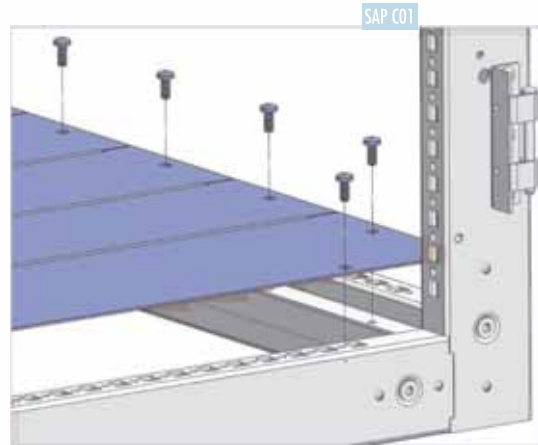
SAP

Bottom Plate Set

t=1,50 mm Pre-Galvanised, Screwed

Module Scope	Quantity
SAP Front-Rear Plate Set	2
M6*12 mm Screw	4-8

P/N	Width (W) mm	Depth (D) mm	Quantity (Pcs)
SAP 4040	400	400	1
SAP 4050		500	1
SAP 4060		600	1
SAP 4070		700	1
SAP 4080		800	1
SAP 5040	500	400	1
SAP 5050		500	1
SAP 5060		600	1
SAP 5070		700	1
SAP 5080		800	1
SAP 6040	600	400	1
SAP 6050		500	1
SAP 6060		600	1
SAP 6070		700	1
SAP 6080		800	1
SAP 7040	700	400	1
SAP 7050		500	1
SAP 7060		600	1
SAP 7070		700	1
SAP 7080		800	1
SAP 8040	800	400	1
SAP 8050		500	1
SAP 8060		600	1
SAP 8070		700	1
SAP 8080		800	1



Attention!...
Please Contact with our Sales Department about Different Types of Bottom Plates.



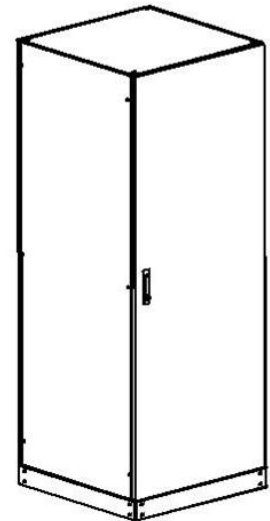
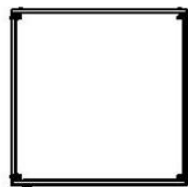
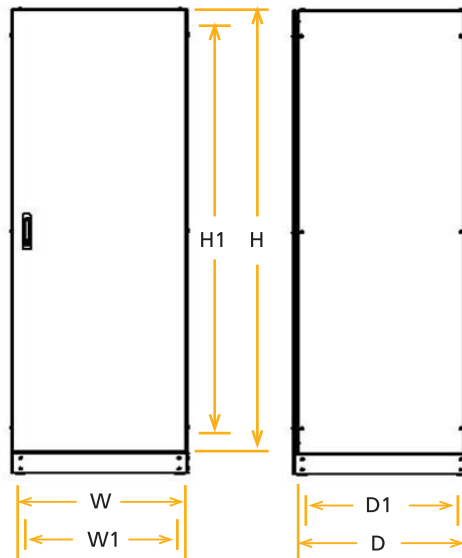
Dimensions

The Dimension details of AC-Free Standing Enclosures are below.

Base is Excluded.

All Dimension are in mm.

H	Height of Enclosure From Bottom to Top
H1	Height of Inside Between Depth Profiles
W	Width of Enclosure From Right Side to Left Side
W1	Width of Inside Depth Profiles
D	Depth of Enclosure From Front to Back
D1	Depth of Inside Between Horizontal Profiles



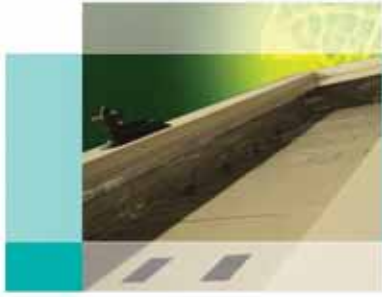
Standard Configuration

Modules	Quantity	Unit
ADP Vertical Profile	4	Pcs.
AYP Horizontal Profile (for Width)	4	Pcs.
AYP Horizontal Profile (for Depth)	4	Pcs.
AKB Corner Set (Al-Zn)	8	Pcs.
AMT Mounting Plate (Overall)	1	Pcs.
AUK Top Cover	1	Pcs.
AAP Bottom Plate	1	Set
AAK Rear Cover	1	Pcs.
AYK Side Cover	2	Pcs.
AKP Front Door (Solid)	1	Pcs.
ABZ Base Module (h:100mm)	1	Set
ACG SC-Grounding Set	1	Set

Optional Equipments

Front Door Alternatives,
MCB Mounting Panels,
Multi Case Circuit Breaker Panels (MCCB)
Compensation Parts,
Bottom Plate Alternatives,
Handling Parts,
Bus-Bar Bracket Parts,
V/H Separation Panels,
Eartquake Brackets,
Ventilation Modules,
Filter Parts
Heater and Thermostat Units,
Cable Organisers,
Outdoor Type Rain Canopies,
Accessories





Enclosure Solutions

IP54



General

Demontable, Without Welding, Completely Modular Main Structure,
Sheet Plate , Galvanised and Stainless Steel
Grounding Continuity,
Corrosion Resistance,
Optimum Safety and Enviromental Protection,
Functional Equipments and Assembling Units,
Wide Application Space, Different Dimension Alternatives,
Adaptation to IEC, EN, TS Standarts

Material

Main Frame ; 2,00mm Galvanised Sheet Steel, W-Profile System,
Covers; 1,20mm Mild Steel
Front Doors; 2,00mm Mild Steel
Inside Mounting Parts are 1,50mm and 2,00 mm Galvanised Steel

IP Protection Class and Safety

Poliurethane Foamed Gasket on the Front Door, up to IP 54 ,
Front door; 4 Point Locking System,
Side, Back and Top Covers; Demontable , Screwed
Hidden Hinge System at Doors, Right to Left Changable

Surface Processing

Main Frame and Mounting Plates are from Galvanised Steel, Doors and Covers;
Pre-Phospated Electrostatic Powder Coating
Standard color; RAL7032 Wrinkle
Base; Ral 9005 Wrinkle
All Other Colors are Optional

Standards and Compatibility

ISO 9001
Compatibility to TS , EN, IEC Standarts
TS EN 60529
TS EN 62208
TS EN 60439-1
DIN VDE 0100



Width x Depth (mm)


W x D (mm)


400x400	400x500	400x600	400x700	400x800	500x400	500x500	500x600	500x700	500x800
---------	---------	---------	---------	---------	---------	---------	---------	---------	---------





width (mm)

height (mm)

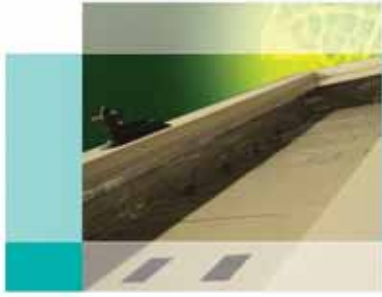
height (mm)	width (mm)	w400					w500				
		Depth (D) mm	400	500	600	700	800	400	500	600	700
 h2020	AC Model P/N	AC 20244	AC 20245	AC 20246	AC 20247	AC 20248	AC 20254	AC 20255	AC 20256	AC 20257	AC 20258
	Product Weight (kg)										
	Shipping Volume (dm ³)										

 h1860	Depth (D) mm	400	500	600	700	800	400	500	600	700	800
	AC Model P/N	AC 18644	AC 18645	AC 18646	AC 18647	AC 18648	AC 18654	AC 18655	AC 18656	AC 18657	AC 18658
	Product Weight (kg)										
	Shipping Volume (dm ³)										

 h1620	Depth (D) mm	400	500	600	700	800	400	500	600	700	800
	AC Model P/N	AC 16244	AC 16245	AC 16246	AC 16247	AC 16248	AC 16254	AC 16255	AC 16256	AC 16257	AC 16258
	Product Weight (kg)										
	Shipping Volume (dm ³)										

 h1460	Depth (D) mm	400	500	600	700	800	400	500	600	700	800
	AC Model P/N	AC 14644	AC 14645	AC 14646	AC 14647	AC 14648	AC 14654	AC 14655	AC 14656	AC 14657	AC 14658
	Product Weight (kg)										
	Shipping Volume (dm ³)										





Enclosure Solutions



FREE STANDING ENCLOSURE

Width x Depth (mm)

W x D (mm)

600x400	600x500	600x600	600x700	600x800	700x400	700x500	700x600	700x700	700x800	700x400	700x500	700x600	700x700	700x800
w600					w700					w800				
400	500	600	700	800	400	500	600	700	800	400	500	600	700	800
AC 20264	AC 20265	AC 20266	AC 20267	AC 20268	AC 20274	AC 20275	AC 20276	AC 20277	AC 20278	AC 20274	AC 20275	AC 20276	AC 20277	AC 20278

400	500	600	700	800	400	500	600	700	800	400	500	600	700	800
AC 18664	AC 18665	AC 18666	AC 18667	AC 18668	AC 18674	AC 18675	AC 18676	AC 18677	AC 18678	AC 18674	AC 18675	AC 18676	AC 18677	AC 18678

400	500	600	700	800	400	500	600	700	800	400	500	600	700	800
AC 16264	AC 16265	AC 16266	AC 16267	AC 16268	AC 16274	AC 16275	AC 16276	AC 16277	AC 16278	AC 16274	AC 16275	AC 16276	AC 16277	AC 16278

400	500	600	700	800	400	500	600	700	800	400	500	600	700	800
AC 14664	AC 14665	AC 14666	AC 14667	AC 14668	AC 14674	AC 14675	AC 14676	AC 14677	AC 14678	AC 14674	AC 14675	AC 14676	AC 14677	AC 14678



H= 2020 mm

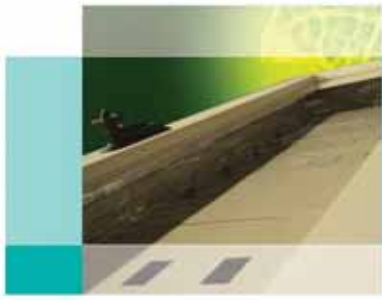
h2020

Free Standing Modular Enclosures (Assembly)

P/N	Width (W) mm	Depth (D) mm	Inside Usable Mounting Area (W1*H1) mm	Inside Usable Mounting Depth (D1) mm	Packaging Dimensions (Assembled) (Ph*Pw*Pd) mm	Shipping Weight (W) kg	Shipping Volume (V) dm ³
AC 20244		400	282*1925	290	2150*450*450	87	375
AC 20245		500	282*1925	390	2150*450*550	92	461
AC 20246	400	600	282*1925	490	2150*450*650	97	548
AC 20247		700	282*1925	590	2150*450*750	103	635
AC 20248		800	282*1925	690	2150*450*850	113	723
AC 20254		400	382*1925	290	2150*550*450	97	466
AC 20255		500	382*1925	390	2150*550*550	103	574
AC 20256	500	600	382*1925	490	2150*550*650	108	683
AC 20257		700	382*1925	590	2150*550*750	113	790
AC 20258		800	382*1925	690	2150*550*850	124	900
AC 20264		400	482*1925	290	2150*650*450	108	466
AC 20265		500	482*1925	390	2150*650*550	114	574
AC 20266	600	600	482*1925	490	2150*650*650	120	683
AC 20267		700	482*1925	590	2150*650*750	125	790
AC 20268		800	482*1925	690	2150*650*850	136	900
AC 20274		400	582*1925	290	2150*750*450	118	650
AC 20275		500	582*1925	390	2150*750*550	124	800
AC 20276	700	600	582*1925	490	2150*750*650	130	950
AC 20277		700	582*1925	590	2150*750*750	136	1101
AC 20278		800	582*1925	690	2150*750*850	147	1253
AC 20284		400	682*1925	290	2150*850*450	133	740
AC 20285		500	682*1925	390	2150*850*550	140	913
AC 20286	800	600	682*1925	490	2150*850*650	146	1085
AC 20287		700	682*1925	590	2150*850*750	152	1257
AC 20288		800	682*1925	690	2150*850*850	164	1429



AC Standard Configuration			
Modules		Quantity	Units
ADP	Vertical Profile	4	Pcs.
AYP	Horizontal Profile (for Width)	4	Pcs.
AYP	Horizontal Profile (for Depth)	4	Pcs.
AKB	Corner Set (Al-Zn)	8	Pcs.
AMT	Mounting Plate (overall)	1	Pcs.
AUK	Top Cover	1	Pcs.
AAP	Bottom Plate	1	Set
AAK	Rear Cover	1	Pcs.
AYK	Side Cover	2	Pcs.
AKP	Front Door (Solid)	1	Pcs.
ABZ	Base Module (h:100mm)	1	set.
ACG	SC-Grounding Set	1	Pcs.



Enclosure Solutions



FREE STANDING ENCLOSURE

H= 1860 mm

h1860

Free Standing Modular Enclosures (Assembly)

P/N	Width (W) mm	Depth (D) mm	Inside Usable Mounting Area (W1*H1) mm	Inside Usable Mounting Depth (D1) mm	Packaging Dimensions (Assembled) (Ph*Pw*Pd) mm	Shipping Weight (W) kg	Shipping Volume (V) dm ³
AC 18644		400	282*1755	290	1990*450*450	81	346
AC 18645		500	282*1755	390	1990*450*550	86	427
AC 18646	400	600	282*1755	490	1990*450*650	91	507
AC 18647		700	282*1755	590	1990*450*750	86	588
AC 18648		800	282*1755	690	1990*450*850	106	668
AC 18654		400	382*1755	290	1990*550*450	90	430
AC 18655		500	382*1755	390	1990*550*550	95	531
AC 18656	500	600	382*1755	490	1990*550*650	100	631
AC 18657		700	382*1755	590	1990*550*750	106	732
AC 18658		800	382*1755	690	1990*550*850	116	832
AC 18664		400	482*1755	290	1990*650*450	101	515
AC 18665		500	482*1755	390	1990*650*550	106	635
AC 18666	600	600	482*1755	490	1990*650*650	111	755
AC 18667		700	482*1755	590	1990*650*750	117	875
AC 18668		800	482*1755	690	1990*650*850	128	995
AC 18674		400	582*1755	290	1990*750*450	110	600
AC 18675		500	582*1755	390	1990*750*550	115	740
AC 18676	700	600	582*1755	490	1990*750*650	121	880
AC 18677		700	582*1755	590	1990*750*750	127	1019
AC 18678		800	582*1755	690	1990*750*850	138	1158
AC 18684		400	682*1755	290	1990*850*450	124	685
AC 18685		500	682*1755	390	1990*850*550	130	844
AC 18686	800	600	682*1755	490	1990*850*650	136	1003
AC 18687		700	682*1755	590	1990*850*750	142	1162
AC 18688		800	682*1755	690	1990*850*850	154	1322



AC Standard Configuration Modules

Quantity	Units
4	Pcs.
4	Pcs.
4	Pcs.
8	Pcs.
1	Pcs.
1	Pcs.
1	Set
1	Pcs.
1	Pcs.
2	Pcs.
1	Pcs.
1	set.
1	Pcs.





H= 1620 mm

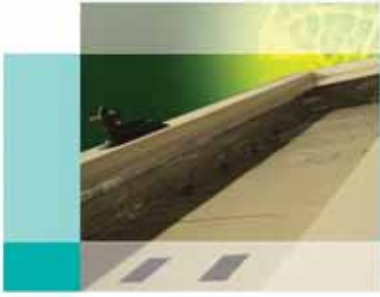
h1620

Free Standing Modular Enclosures (Assembly)

P/N	Width (W) mm	Depth (D) mm	Inside Usable Mounting Area (W1*H1) mm	Inside Usable Mounting Depth (D1) mm	Packaging Dimensions (Assembled) (Ph*Pw*Pd) mm	Shipping Weight (W) kg	Shipping Volume (V) dm ³
AC 16244		400	282*1525	290	1750*450*450	72	304
AC 16245		500	282*1525	390	1750*450*550	77	375
AC 16246	400	600	282*1525	490	1750*450*650	81	445
AC 16247		700	282*1525	590	1750*450*750	86	516
AC 16248		800	282*1525	690	1750*450*850	96	587
AC 16254		400	382*1525	290	1750*550*450	81	378
AC 16255		500	382*1525	390	1750*550*550	85	466
AC 16256	500	600	382*1525	490	1750*550*650	90	554
AC 16257		700	382*1525	590	1750*550*750	95	642
AC 16258		800	382*1525	690	1750*550*850	105	730
AC 16264		400	482*1525	290	1750*650*450	90	453
AC 16265		500	482*1525	390	1750*650*550	95	558
AC 16266	600	600	482*1525	490	1750*650*650	100	663
AC 16267		700	482*1525	590	1750*650*750	105	768
AC 16268		800	482*1525	690	1750*650*850	115	874
AC 16274		400	582*1525	290	1750*750*450	98	527
AC 16275		500	582*1525	390	1750*750*550	103	650
AC 16276	700	600	582*1525	490	1750*750*650	109	772
AC 16277		700	582*1525	590	1750*750*750	114	895
AC 16278		800	582*1525	690	1750*750*850	125	1017
AC 16284		400	682*1525	290	1750*850*450	111	601
AC 16285		500	682*1525	390	1750*850*550	117	741
AC 16286	800	600	682*1525	490	1750*850*650	123	881
AC 16287		700	682*1525	590	1750*850*750	128	1021
AC 16288		800	682*1525	690	1750*850*850	139	1160



AC Standard Configuration Modules		Quantity	Units
ADP	Vertical Profile	4	Pcs.
AYP	Horizontal Profile (for Width)	4	Pcs.
AYP	Horizontal Profile (for Depth)	4	Pcs.
AKB	Corner Set (Al-Zn)	8	Pcs.
AMT	Mounting Plate (overall)	1	Pcs.
AUK	Top Cover	1	Pcs.
AAP	Bottom Plate	1	Set
AAK	Rear Cover	1	Pcs.
AYK	Side Cover	2	Pcs.
AKP	Front Door (Solid)	1	Pcs.
ABZ	Base Modul (h:100mm)	1	set.
ACG	SC-Grounding Set	1	Pcs.



Enclosure Solutions

H= 1460 mm

h1460

Free Standing Modular Enclosures (Assembly)

P/N	Width (W) mm	Depth (D) mm	Inside Usable Mounting Area (W1*H1) mm	Inside Usable Mounting Depth (D1) mm	Packaging Dimensions (Assembled) (Ph*Pw*Pd) mm	Shipping Weight (W) kg	Shipping Volume (V) dm ³
AC 14644		400	282*1375	290	1575*450*450	67	276
AC 14645		500	282*1375	390	1575*450*550	71	340
AC 14646	400	600	282*1375	490	1575*450*650	75	404
AC 14647		700	282*1375	590	1575*450*750	79	468
AC 14648		800	282*1375	690	1575*450*850	89	532
AC 14654		400	382*1375	290	1575*550*450	74	343
AC 14655		500	382*1375	390	1575*550*550	79	423
AC 14656	500	600	382*1375	490	1575*550*650	83	503
AC 14657		700	382*1375	590	1575*550*750	87	583
AC 14658		800	382*1375	690	1575*550*850	97	663
AC 14664		400	482*1375	290	1575*650*450	83	410
AC 14665		500	482*1375	390	1575*650*550	87	506
AC 14666	600	600	482*1375	490	1575*650*650	92	602
AC 14667		700	482*1375	590	1575*650*750	97	697
AC 14668		800	482*1375	690	1575*650*850	107	793
AC 14674		400	582*1375	290	1575*750*450	90	478
AC 14675		500	582*1375	390	1575*750*550	95	589
AC 14676	700	600	582*1375	490	1575*750*650	100	700
AC 14677		700	582*1375	590	1575*750*750	105	812
AC 14678		800	582*1375	690	1575*750*850	115	923
AC 14684		400	682*1375	290	1575*850*450	103	546
AC 14685		500	682*1375	390	1575*850*550	109	672
AC 14686	800	600	682*1375	490	1575*850*650	114	799
AC 14687		700	682*1375	590	1575*850*750	119	926
AC 14688		800	682*1375	690	1575*850*850	130	1053



AC Standard Configuration Modules

	Quantity	Units
ADP Vertical Profile	4	Pcs.
AYP Horizontal Profile (for Width)	4	Pcs.
AYP Horizontal Profile (for Depth)	4	Pcs.
AKB Corner Set (Al-Zn)	8	Pcs.
AMT Mounting Plate (overall)	1	Pcs.
AUK Top Cover	1	Pcs.
AAP Bottom Plate	1	Set
AAK Rear Cover	1	Pcs.
AYK Side Cover	2	Pcs.
AKP Front Door (Solid)	1	Pcs.
ABZ Base Module (h:100mm)	1	set.
ACG SC-Grounding Set	1	Pcs.



AC PRODUCT STRUCTURE

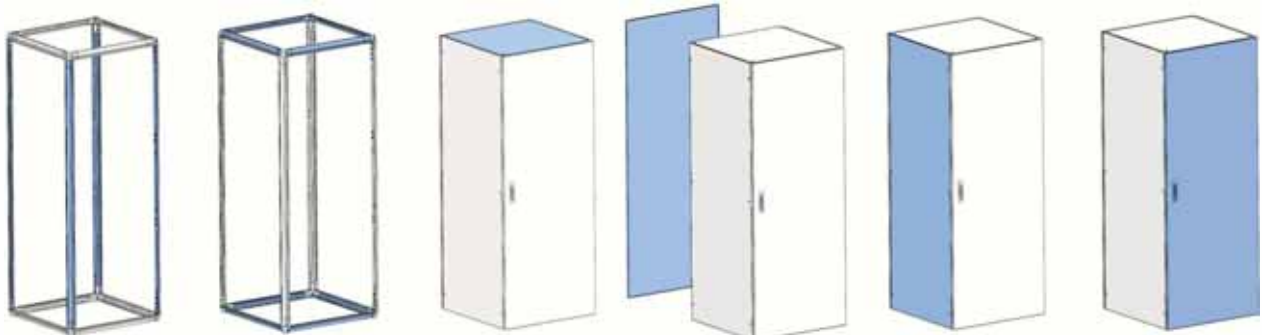
Base Product Parts

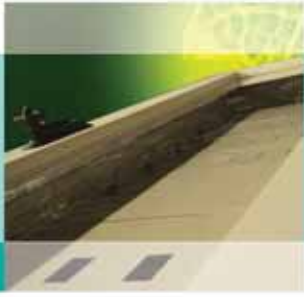
	Description
ADP	Vertical Profiles
AYP	Horizontal Profiles
AKB	Corner Set (Al-Zn)
AUK	Top Covers (Solid)
AUA	Top Covers (for Ventilations)
AAK	Rear Covers (Solid)
AAA	Rear Covers (for Ventilations)
AYK	Side Covers (Solid)
AYA	Side Covers (for Ventilations)
AKP	Front Doors (Solid)
AKC	Front Doors (for Frame Glased)
AKA	Front Doors (for Ventilations)
ATK	Handling Parts
AMT	Vertical Mointing Panels (Overall)
AMP	Vertical Mointing Panels (Sectional)
ALP	Inside Mounting Profiles, (L-Profiles)
AUD	Inside Mounting Profiles (for Depth)
ABL	Division Panels
APH	H-Profile (for Cover Plate)
APW	W-Profile
AFR	Cover Plates
AAP	Bottom Plates
ABZ	Base Modules

Sub-Product Parts

	Description
APB	Panel Brackets
ACG	AC-Grounding Sets
AFR	MCB Panels
AFP	Cover Plates (for MCB Panels)
ACP	Cover Plates (for Contactor Panels)
AHC	Multi Case Circuit Breaker Panels
AHP	Cover Plates (for MCCB's)
AVC	Vertical Multi Case Circuit Breaker Panels
AVP	Cover Plates (for Vertical)
AMM	MasterPack Panels
AAT	Transformer Panels
AKN	Condansator Panels
AKR	Condansator Shelves

Vertical Profiles	Horizontal Profiles	Top Covers	Rear Covers	Side Covers	Front Doors
ADP	AYP	AUK	AAK, ABK	AYK	AK..(P, A, C)



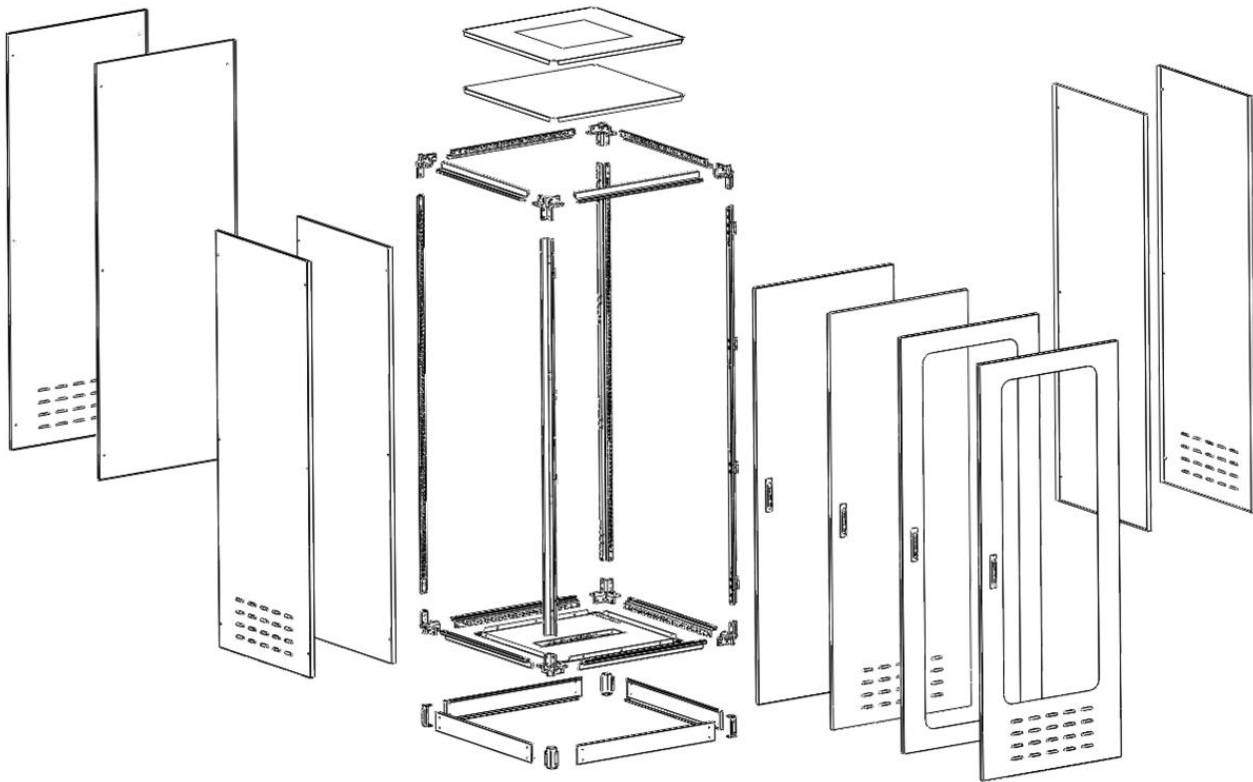


Enclosure Solutions

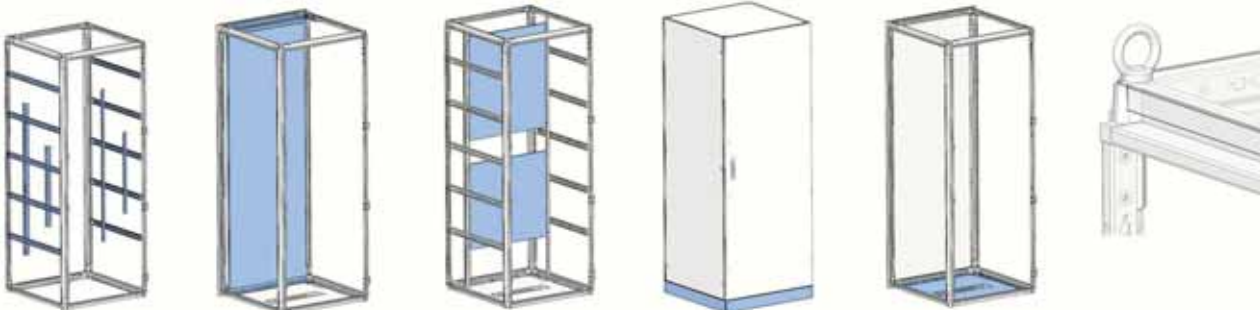


FREE STANDING ENCLOSURE

AC PRODUCT STRUCTURE



Inside Mounting Profiles	Vertical Mounting Panels (Overall)	Vertical Mounting Panels (Sectional)	Base Moduls (h: 100 mm)	Bottom Plates	Handling Parts
ALP, AUD	AMT	AMP	ABZ	AAP	ATK





AC Free Standing Sub-Products and Modules



ADP Vertical Profiles

t=2,00mm, Galvanized Sheet Steel, W-Profile

P/N	Heigh (H)mm	Quantity (Pcs.)
ADP 0014	1460	4
ADP 0016	1620	4
ADP 0018	1860	4
ADP 0020	2020	4

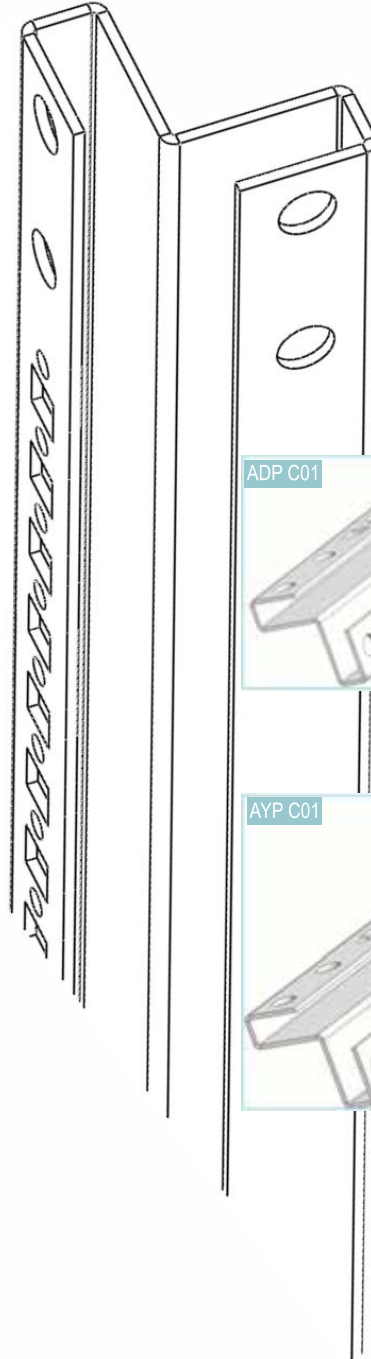
AYP Horizontal Profiles

t=2,00mm, Galvanized Sheet Steel, W-Profile



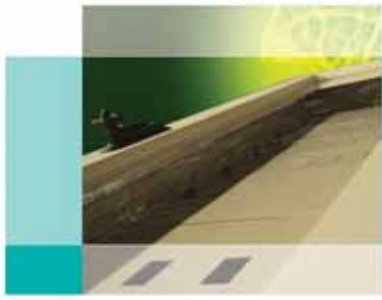
P/N	Width Depth (W/D)mm	Quantity (Pcs.)
AYP 0040	400	4
AYP 0050	500	4
AYP 0060	600	4
AYP 0070	700	4
AYP 0080	800	4

Modul Scope	Quantity
ADP Vertical Profiles	4
AYP Horizontal Profiles (W)	4
AYP Horizontal Profiles (D)	4
AKB Corner Set	8



- t=2,00mm,
- Pre-galvanised sheet steel
- Width horizontal profiles and depth horizontal profiles are exchangeable.
- Main frame is designed for providing high mechanical strength for lifetime.





Enclosure Solutions

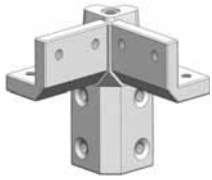


FREE STANDING ENCLOSURE

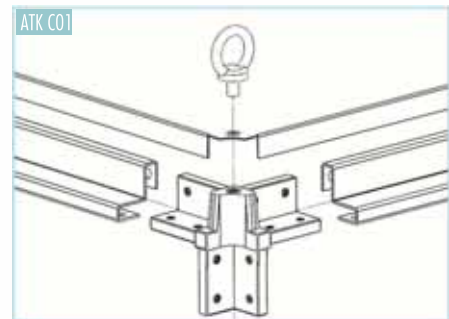
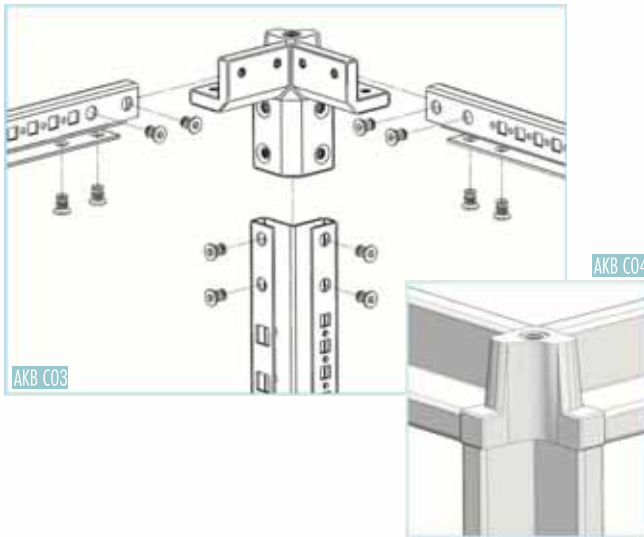
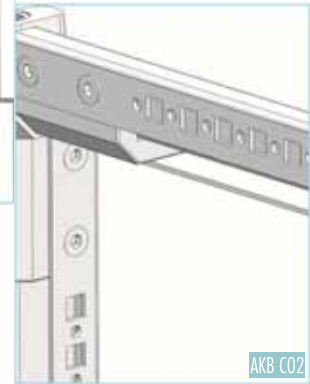
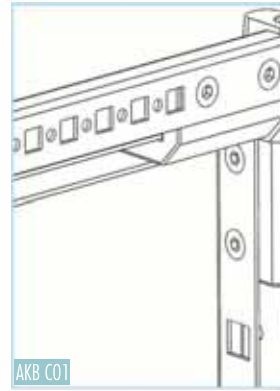
AKB

3D - Axial Corner Set (Injection Part)

Axial Injection Special Part, Screwed

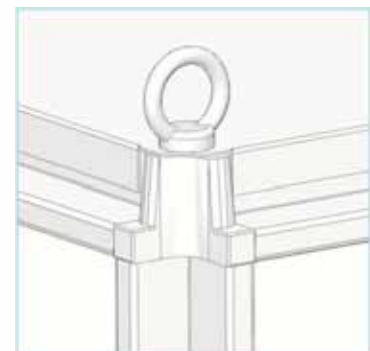


P/N	Description	Quantity (Pcs.)
AKB 0820	Corner Part (Injection Alloy)	1
	M8*10 mm Allen Bolt	12



ATK Handling and Lifting Parts

P/N	Description	Quantity (Pcs..)
ATK 12250	M10 mm Eye-Bolt	4





AC Free Standing Sub-Products and Moduls

All Dimensions are in (mm),

AUK Top Covers (Solid) t=1,20mm Sheet Steel, Powder Coating, Screwed



Modul Scope	Quantity
AUK Top Cover (Solid)	1
M10*30 mm Hexagon Bolt	4
M10 Spring Lock Washer	4

P/N	Width (W) mm	Depth (D) mm	Quantity (Pcs.)
AUK 40400	400	400	1
AUK 40500		500	1
AUK 40600		600	1
AUK 40700		700	1
AUK 40800		800	1
AUK 50400	500	400	1
AUK 50500		500	1
AUK 50600		600	1
AUK 50700		700	1
AUK 50800		800	1
AUK 60400	600	400	1
AUK 60500		500	1
AUK 60600		600	1
AUK 60700		700	1
AUK 60800		800	1
AUK 70400	700	400	1
AUK 70500		500	1
AUK 70600		600	1
AUK 70700		700	1
AUK 70800		800	1
AUK 80400	800	400	1
AUK 80500		500	1
AUK 80600		600	1
AUK 80700		700	1
AUK 80800		800	1

AUA Top Covers (Ventilations) t=1,20mm Sheet Steel, Powder Coating, Screwed



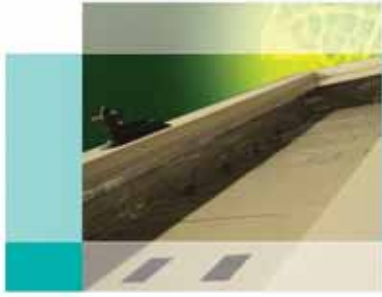
Module Scope	Quantity
SUA Top Cover (Ventilation)	1
M10*30 mm Hexagon Bolt	4
M10 Spring Lock Washer	4

P/N	Width (W) mm	Depth (D) mm	Quantity (Pcs.)
AUA 40400	400	400	1
AUA 40500		500	1
AUA 40600		600	1
AUA 40700		700	1
AUA 40800		800	1
AUA 50400	500	400	1
AUA 50500		500	1
AUA 50600		600	1
AUA 50700		700	1
AUA 50800		800	1
AUA 60400	600	400	1
AUA 60500		500	1
AUA 60600		600	1
AUA 60700		700	1
AUA 60800		800	1
AUA 70400	700	400	1
AUA 70500		500	1
AUA 70600		600	1
AUA 70700		700	1
AUA 70800		800	1
AUA 80400	800	400	1
AUA 80500		500	1
AUA 80600		600	1
AUA 80700		700	1
AUA 80800		800	1



AUK C01

- t=1,20mm, Mild Steel
- Electrostatic Powder Coated, Standard Colour Ral 7032
- Top Covers are suitable for Fan Modules, Cable Organizer Modules and other Special Modules.
- Eyebolts are Screwed to Main Frame, from the Holes at the Top Covers.
- Screwing Points Provide Grounding Continuity
- IP Protection Class is Provided by Poliurethane Gasket Foam on the Covers.



Enclosure Solutions



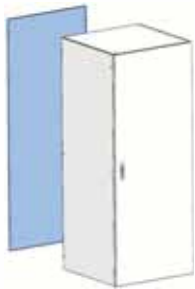
FREE STANDING ENCLOSURE

AC Free Standing Sub-Products and Modules

All Dimensions are in (mm),

AAK Rear Covers (Solid)

t=1,20mm Sheet Steel, Powder Coating, Screwed



Module Scope	Quantity
SAK Rear Cover (Solid)	1
M6*12 mm Hexagon Bolt	6

P/N	Width (W) mm	Depth (D) mm	Quantity (Pcs)
AAK 14400	1460	400	1
AAK 14500		500	1
AAK 14600		600	1
AAK 14700		700	1
AAK 14800		800	1
AAK 16400	1620	400	1
AAK 16500		500	1
AAK 16600		600	1
AAK 16700		700	1
AAK 16800		800	1
AAK 18400	1860	400	1
AAK 18500		500	1
AAK 18600		600	1
AAK 18700		700	1
AAK 18800		800	1
AAK 20400	2020	400	1
AAK 20500		500	1
AAK 20600		600	1
AAK 20700		700	1
AAK 20800		800	1

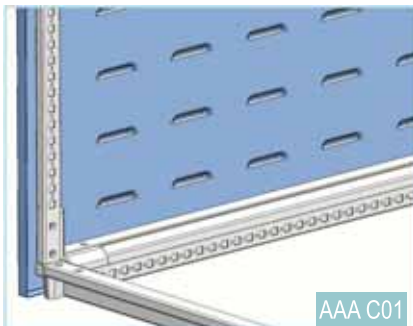
AUA Rear Covers (Ventilations)

t=1,20mm Sheet Steel, Powder Coating, Screwed



Module Scope	Quantity
SAK Rear Cover (Ventilation)	1
M6*12 mm Hexagon Bolt	6

P/N	Width (W) mm	Depth (D) mm	Quantity (Pcs)
AAA 1440	1460	400	1
AAA 1450		500	1
AAA 1460		600	1
AAA 1470		700	1
AAA 1480		800	1
AAA 1640	1620	400	1
AAA 1650		500	1
AAA 1660		600	1
AAA 1670		700	1
AAA 1680		800	1
AAA 1840	1860	400	1
AAA 1850		500	1
AAA 1860		600	1
AAA 1870		700	1
AAA 1880		800	1
AAA 2040	2020	400	1
AAA 2050		500	1
AAA 2060		600	1
AAA 2070		700	1
AAA 2080		800	1



AAA C01

- t=1,20mm , Mild Steel
- Electrostatic Powder Coated , Standard Colour Ral 7032
- Rear Covers are suitable for Fan Modules, Cable Organizer Modules and other Special Modules.
- Rear Covers are Screwed to Main Frame from the Holes at the Rear Covers
- Screwing Points Provides Grounding Continuity
- IP Protection Class is Provided by Poliurethane Gasket Foam on the Covers.



AC Free Standing Sub-Products and Modules

All Dimensions are in (mm),

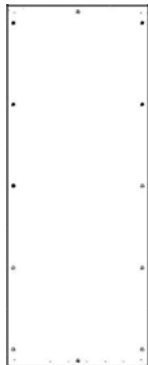
AYK Side Covers (Solid)

t=1,20mm Sheet Steel, Powder Coating, Screwed



Module Scope	Quantity
AYK Side Cover (Solid)	1
M6*12 mm Top Type Screw	6

P/N	Height (H) mm	Width (G) mm	Quantity (Pcs)
AYK 14400	1460	400	1
AYK 14500		500	1
AYK 14600		600	1
AYK 14700		700	1
AYK 14800		800	1
AYK 16400	1620	400	1
AYK 16500		500	1
AYK 16600		600	1
AYK 16700		700	1
AYK 16800		800	1
AYK 18400	1860	400	1
AYK 18500		500	1
AYK 18600		600	1
AYK 18700		700	1
AYK 18800		800	1
AYK 20400	2020	400	1
AYK 20500		500	1
AYK 20600		600	1
AYK 20700		700	1
AYK 20800		800	1



AYA Side Covers (Ventilations)

t=1,20mm Sheet Steel, Powder Coating, Screwed



Modul Scope	Quantity
AYA Side Cover (Solid)	1
M6*12 mm Top Type Screw	6

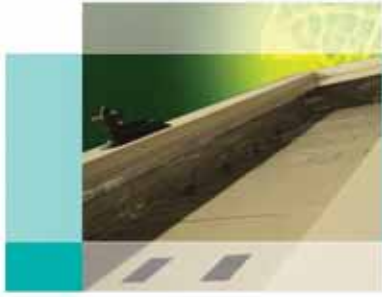
P/N	Height (H) mm	Width (G) mm	Quantity (Pcs)
AYA 14400	1460	400	1
AYA 14500		500	1
AYA 14600		600	1
AYA 14700		700	1
AYA 14800		800	1
AYA 16400	1620	400	1
AYA 16500		500	1
AYA 16600		600	1
AYA 16700		700	1
AYA 16800		800	1
AYA 18400	1860	400	1
AYA 18500		500	1
AYA 18600		600	1
AYA 18700		700	1
AYA 18800		800	1
AYA 20400	2020	400	1
AYA 20500		500	1
AYA 20600		600	1
AYA 20700		700	1
AYA 20800		800	1



AYK C01

- t=1,20mm, Mild Steel
- Electrostatic Powder Coated,
- Standard Colour Ral 7032
- Side Covers are suitable for Fan Modules, Cable Organizer Modules and other Special Modules.
- Side Covers are Screwed to Main Frame from the Holes at the Side Cover.
- Screwing Points Provide Grounding Continuity





Enclosure Solutions

AC Free Standing Sub-Products and Modules

All Dimensions are in (mm),

AKP Front Doors (Solid)

t=2,00mm Sheet Steel, Powder Coating, Locked



Module Scope	Quantity
AKP Front Door (Solid)	1
110° Hidden Hinge Set	4
Swing Handle Set	1

P/N	Height (H) mm	Width (W) mm	Quantity (Pcs.)
AKP 14400	1460	400	1
AKP 14500		500	1
AKP 14600		600	1
AKP 14700		700	1
AKP 14800		800	1
AKP 16400	1620	400	1
AKP 16500		500	1
AKP 16600		600	1
AKP 16700		700	1
AKP 16800		800	1
AKP 18400	1860	400	1
AKP 18500		500	1
AKP 18600		600	1
AKP 18700		700	1
AKP 18800		800	1
AKP 20400	2020	400	1
AKP 20500		500	1
AKP 20600		600	1
AKP 20700		700	1
AKP 20800		800	1



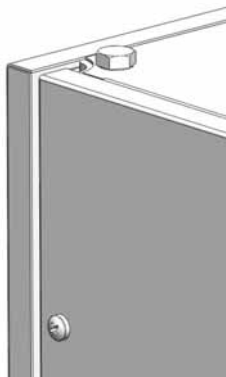
AKA Front Doors (for Ventilations)

t=2,00mm Sheet Steel, Powder Coating, Locked



Module Scope	Miktar
AKA Front door (for ventilations)	1
110° Hidden Hinge Set	4
Swing Handle Set	1

P/N	Height (H) mm	Width (W) mm	Quantity (Pcs.)
AKA 14400	1460	400	1
AKA 14500		500	1
AKA 14600		600	1
AKA 14700		700	1
AKA 14800		800	1
AKA 16400	1620	400	1
AKA 16500		500	1
AKA 16600		600	1
AKA 16700		700	1
AKA 16800		800	1
AKA 18400	1860	400	1
AKA 18500		500	1
AKA 18600		600	1
AKA 18700		700	1
AKA 18800		800	1
AKA 20400	2020	400	1
AKA 20500		500	1
AKA 20600		600	1
AKA 20700		700	1
AKA 20800		800	1



- t=2,00mm Mild Steel,
- Electrostatic Powder Coated , Standard Colour, Ral 7032 ,
- Front Doors are Strengthened by the Profiles Inside
- Front doors are Suitable for ; Bottom-Top Ventilation-Filter Module, Frame-Glass Modules and the Other Modules.
- Four Pieces Hidden Hinges are Used.
- Front Doors are Exchangable Right to Left
- Front Doors can Open 110°
- The Doors are Locked From 4 Points Special System to the Main Frame
- Grounding is Provided by Grounding Set at the Bottom of the Doors
- IP Protection Class is Provided by Poliurethane Gasket Foam on the Doors





AC Free Standing Sub-Products and Modules

All Dimensions are in (mm),

AKC Front Doors (Framed for glassed) t=2,00mm Sheet Steel Framed, Powder Coating Locked



Module Scope	Quantity
AKC Front Door (Framed)	1
110° Hidden Hinge Set	4
Swing Handle Set	1

P/N	Height (H) mm	Width (W) mm	Quantity (Pcs.)
AKC 14400	1460	400	1
AKC 14500		500	1
AKC 14600		600	1
AKC 14700		700	1
AKC 14800		800	1
AKC 16400	1620	400	1
AKC 16500		500	1
AKC 16600		600	1
AKC 16700		700	1
AKC 16800		800	1
AKC 18400	1860	400	1
AKC 18500		500	1
AKC 18600		600	1
AKC 18700		700	1
AKC 18800		800	1
AKC 20400	2020	400	1
AKC 20500		500	1
AKC 20600		600	1
AKC 20700		700	1
AKC 20800		800	1



AKC Front Doors (Framed for glassed Ventilation) t=2,00mm Sheet Steel Framed, Powder Coating Locked



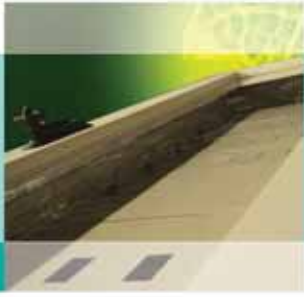
Module Scope	Quantity
AKC Front Door (Framed Ventilation)	1
110° Hidden Hinge Set	4
Swing Handle Set	1

P/N	Height (H) mm	Width (W) mm	Quantity (Pcs.)
AKC 14400	1460	400	1
AKC 14500		500	1
AKC 14600		600	1
AKC 14700		700	1
AKC 14800		800	1
AKC 16400	1620	400	1
AKC 16500		500	1
AKC 16600		600	1
AKC 16700		700	1
AKC 16800		800	1
AKC 18400	1860	400	1
AKC 18500		500	1
AKC 18600		600	1
AKC 18700		700	1
AKC 18800		800	1
AKC 20400	2020	400	1
AKC 20500		500	1
AKC 20600		600	1
AKC 20700		700	1
AKC 20800		800	1



- t=2,00mm Mild Steel,
- Standard Colour, Ral 7032 ,Electrostatic Powder Coated,
- Front Doors are Strengthened by the Profiles Inside
- Front doors are Suitable for ; Bottom- Top Ventilation - Filter Module, Frame-Glass Modules and the Other Modules.
- The Doors are Locked From 4 Points Special System to the Main Frame
- Front Doors can Open 110°
- Front Doors are Exchangable Right to Left
- Grounding is Provided by Grounding Set at the Bottom of the Doors
- IP Protection Class is Provided by Poliurethane Gasket Foam on the Doors



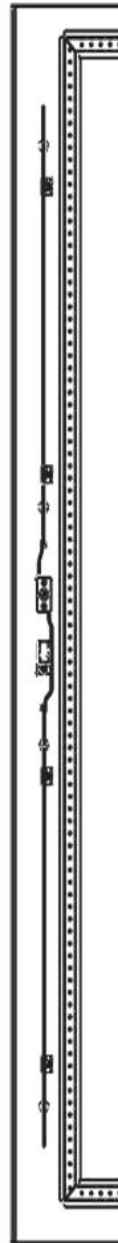


Enclosure Solutions

FREE STANDING ENCLOSURE **ac**

AC Free Standing Sub-Products and Modules

All Dimensions are in (mm),



Attention!...
Please Contact with our Sales Department about
Different Types of Doors, Door Modules and
Locking Systems



AC Free Standing Sub-Products and Modules

All Dimensions are in (mm),

AMT Mounting Plate (Overall)

t=2,00mm Pre-Galvanized, Screwed



Modul Scope	Quantity
AMT Mounting Plate (Overall)	1
APC C-Bracket	1
APW W-Bracket	2
M6*12 mm Top Type Screw	2
M8*10 mm Allien Bolt	2

P/N	Height (H) mm	Width (W) mm	Quantity (Ad)
AMT 14400	1440	400	1
AMT 14500		500	1
AMT 14600		600	1
AMT 14700		700	1
AMT 14800		800	1
AMT 16400	1600	400	1
AMT 16500		500	1
AMT 16600		600	1
AMT 16700		700	1
AMT 16800		800	1
AMT 18400	1840	400	1
AMT 18500		500	1
AMT 18600		600	1
AMT 18700		700	1
AMT 18800		800	1
AMT 20400	2000	400	1
AMT 20500		500	1
AMT 20600		600	1
AMT 20700		700	1
AMT 20800		800	1

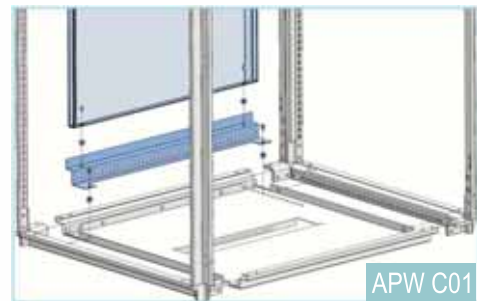
APC C01



APC C-Brackets for Mounting Plate

t=1,50mm Pre-Galvanized

P/N	Width (W) mm	Quantity (Pcs.)
APC 00400	400	1
APC 00500	500	1
APC 00600	600	1
APC 00700	700	1
APC 00800	800	1



APW C01

APW W-Brackets for Mounting Plate

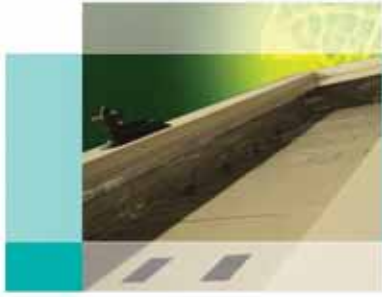
t=1,50mm Pre-Galvanized

P/N	Width (W) mm	Quantity (Pcs.)
APW 00400	400	2
APW 00500	500	2
APW 00600	600	2
APW 00700	700	2
APW 00800	800	2



- t=2mm Pre-galvanized Steel
- From the Bottom and Top of the Enclosure it can be Mounted to any Place along Depth
- Mounting Plates are Adjustable





Enclosure Solutions

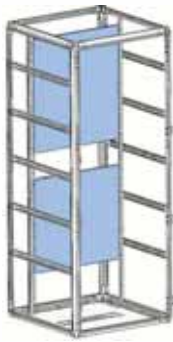
AC Free Standing Sub-Products and Modules

All Dimensions are in (mm),

AMP Mounting Plate (Partial)

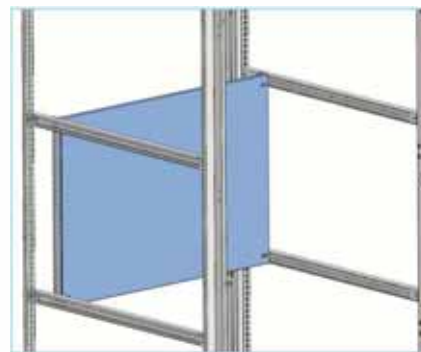
t=1,50 mm Pre-Galvanized, Screwed

Module Scope	Quantity
AMP Mounting Plate (Partial)	1
ABP Bracket for Mounting Plate	4



P/N	Height (H) mm	Width (W) mm	Quantity (Pcs.)
AMP 16400	160	400	1
AMP 16500		500	1
AMP 16600		600	1
AMP 16700		700	1
AMP 16800		800	1
AMP 24400	240	400	1
AMP 24500		500	1
AMP 24600		600	1
AMP 24700		700	1
AMP 24800		800	1
AMP 32400	320	400	1
AMP 32500		500	1
AMP 32600		600	1
AMP 32700		700	1
AMP 32800		800	1
AMP 40400	400	400	1
AMP 04500		500	1
AMP 40600		600	1
AMP 40700		700	1
AMP 40800		800	1
AMP 56400	560	400	1
AMP 56500		500	1
AMP 56600		600	1
AMP 56700		700	1
AMP 56800		800	1
AMP 64400	640	400	1
AMP 64500		500	1
AMP 64600		600	1
AMP 64700		700	1
AMP 64800		800	1
AMP 72400	720	400	1
AMP 72500		500	1
AMP 72600		600	1
AMP 72700		700	1
AMP 72800		800	1

P/N	Height (H) mm	Width (W) mm	Quantity (Pcs.)
AMP 80400	800	400	1
AMP 80500		500	1
AMP 80600		600	1
AMP 80700		700	1
AMP 80800		800	1
AMP 88400	880	400	1
AMP 88500		500	1
AMP 88600		600	1
AMP 88700		700	1
AMP 88800		800	1
AMP 96400	960	400	1
AMP 96500		500	1
AMP 96600		600	1
AMP 96700		700	1
AMP 96800		800	1



Attention!
Please Contact with our Sales Department about Special Mounting Plates



AC Free Standing Sub-Products and Modules

All Dimensions are in (mm),

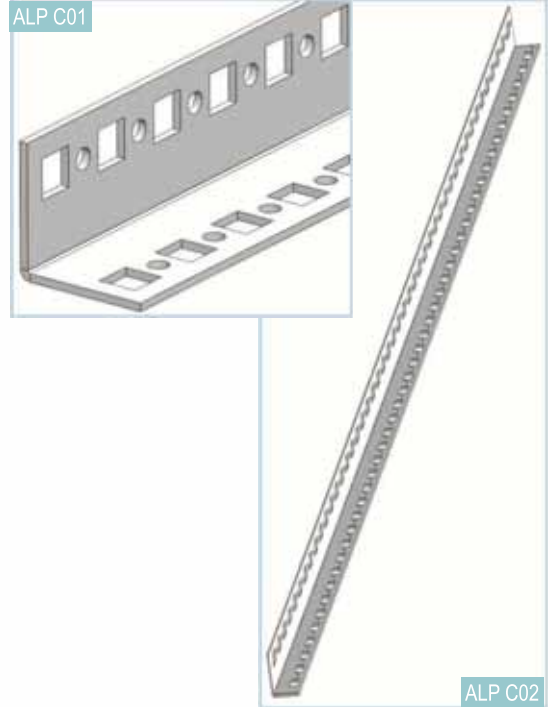
ALP L-Profiles (for inside Mounting)

t=1,50mm Pre-galvanized



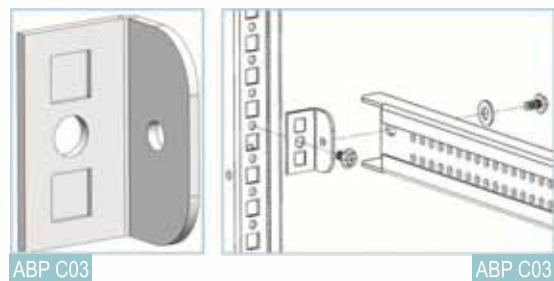
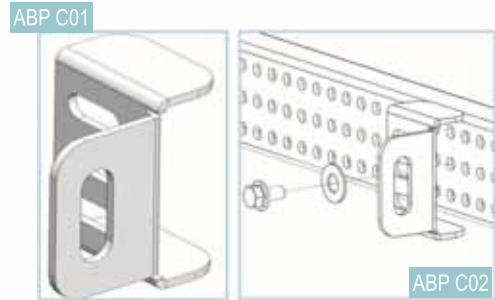
Module Scope	Quantity
M6*15 Top Type Screw	2

P/N	Height (H) mm	Quantity (Pcs.)
SLP 00100	100	1
SLP 00200	200	1
SLP 00300	300	1
SLP 00400	400	1
SLP 00500	500	1
SLP 00600	600	1
SLP 00700	700	1
SLP 00800	800	1
SLP 00900	900	1
SLP 01000	1000	1
SLP 01100	1100	1
SLP 01200	1200	1
SLP 01300	1300	1
SLP 01400	1400	1
SLP 01500	1500	1
SLP 01600	1600	1
SLP 01700	1700	1
SLP 01800	1800	1
SLP 01900	1900	1
SLP 02000	2000	1



ABP Brackets (for inside Mounting)

P/N	Description	Quantity (Pcs.)
ABP 00200	ABP- Outside Bracket	1
ABP 00300	ABP - Inside Bracket	1





Enclosure Solutions

AC Free Standing Sub-Products and Modules

All Dimensions are in (mm),

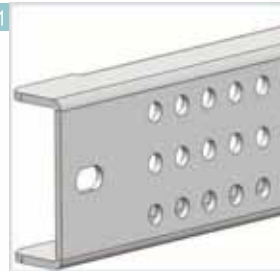
AUD U-Slide Profiles t=1,20 - 1,50mm Pre-galvanized



Module Scope	Quantity
AUD Mounting Profile	1
M6*15 Top Type Screw	4
M6 Spring Washer	4

P/N	Depth (D) mm	Quantity (Pcs)
AUD 00300	300	2
AUD 00400	400	2
AUD 00500	500	2
AUD 00600	600	2
AUD 00700	700	2
AUD 00800	800	2
AUD 00900	900	2
AUD 01000	1000	2

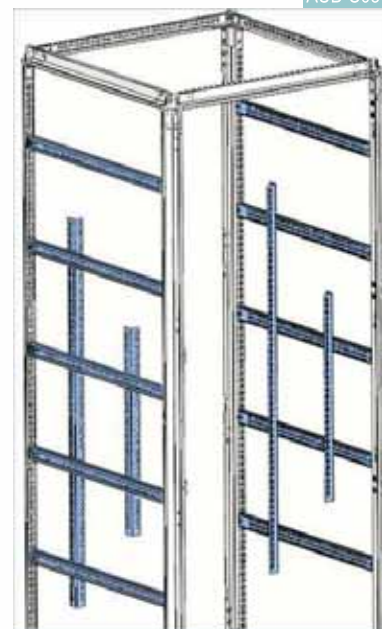
AUD C01



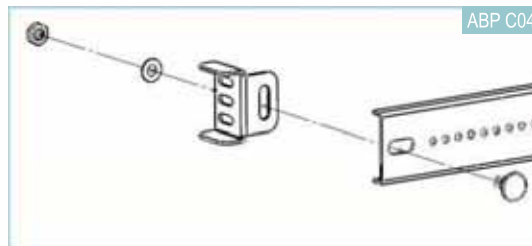
AUD C02



AUD C03



ABP C04

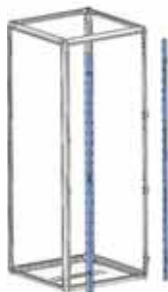




AC Free Standing Sub-Products and Modules

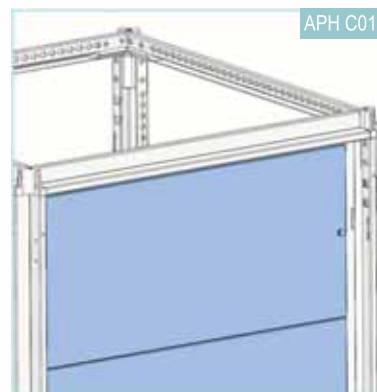
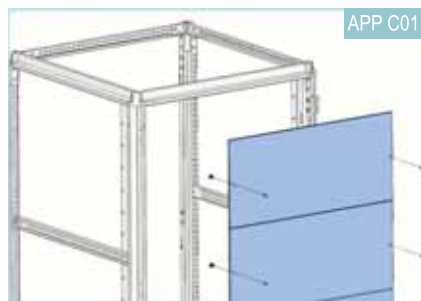
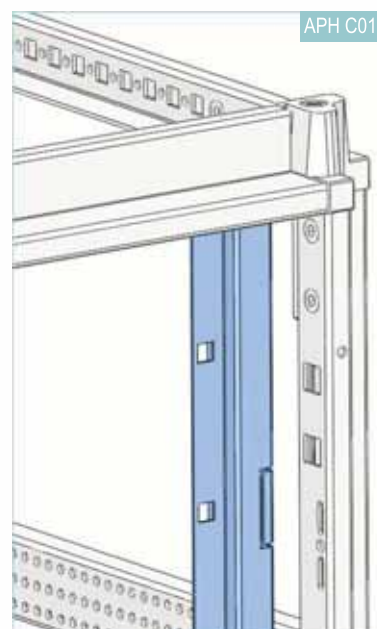
All Dimensions are in (mm),

APH Cover Plate Profiles (for Left and Right) t=1,20 mm Sheet Steel, Powder Coating, Screwed



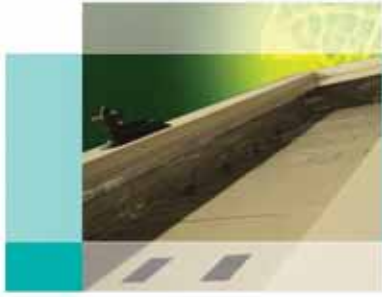
Module Scope	Quantity
APH Cover Plate Profile	1
M6*25 Top Type Screw	12

P/N	Height (H) mm	Quantity (Pcs.)
APH 00140	1460	2
APH 00160	1620	2
APH 00180	1860	2
APH 00200	2020	2



- t=1,20mm Mild Steel
- Electrostatic Powder Coated,
- Standard colour Ral 7032 ,
- H-Profiles are Cover Plate Fixing Profiles, 2 pieces will be Used, for Left and Right
- H-Profiles are Fixed to Main Frame
There is Cut-offs at the H-Profile for Cable Organising
- W-Profiles are used for Closing the Holes at the Bottom and the Top
- Cover Sheets will be Fixed to H-Profiles.





Enclosure Solutions

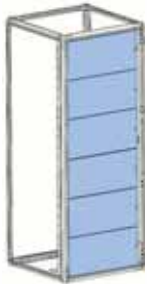
AC Free Standing Sub-Products and Modules

All Dimensions are in (mm),

APP

Cover Plates (Solid)

t=1,20 mm Sheet Steel, Powder Coating, Screwed



Module Scope	Quantity
APP Cover Plate	1
M6*25 mm Screw	2

P/N	Height (H) mm	Width (W) mm	Quantity (Pcs.)
APP 16400	160	400	1
APP 16500		500	1
APP 16600		600	1
APP 16700		700	1
APP 16800		800	1
APP 24400		240	400
APP 24500	500		1
APP 24600	600		1
APP 24700	700		1
APP 24800	800		1
APP 32400	320		400
APP 32500		500	1
APP 32600		600	1
APP 32700		700	1
APP 32800		800	1
APP 40400		400	400
APP 40500	500		1
APP 40600	600		1
APP 40700	700		1
APP 40800	800		1
APP 48400	480		400
APP 48500		500	1
APP 48600		600	1
APP 48700		700	1
APP 48800		800	1

P/N	Height (H) mm	Width (W) mm	Quantity (Pcs.)
APP 56400	560	400	2
APP 56500		500	2
APP 56600		600	2
APP 56700		700	2
APP 56800		800	2
APP 64400		640	400
APP 64500	500		1
APP 64600	600		1
APP 64700	700		1
APP 64800	800		1



- t=1.2 mm Mild Steel
- Electrostatic Powder Coated,
- Standard Colour Ral 7032,
- Cover Plates are used for Safety and Protection from Touching to Inside Components
- Cover Plates are Fixing to H-Profiles Height is Changable
- Special Cut-offs can Make on Cover-Sheets for MCB's, MCCB's or Other Special Components

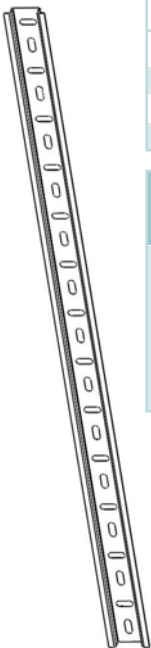


AC Free Standing Sub-Products and Modules

All Dimensions are in (mm),

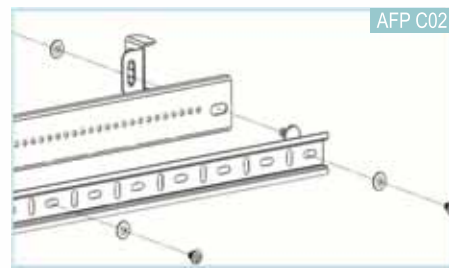
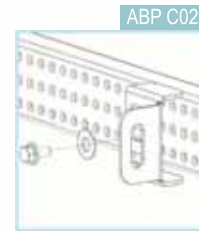
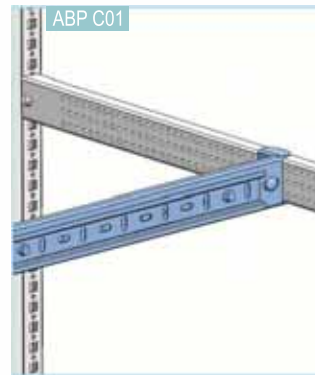
AFR MCB Rails

t=1,50 mm Pre-Galvanized, Screwed



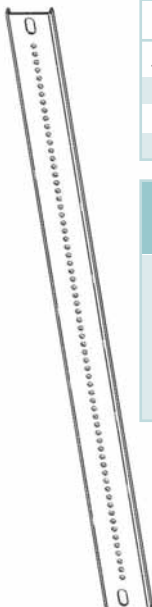
Module Scope	Quantity
AFR MCB Rail	1
M6*12 Screw	2

P/N	Width (W) mm	Quantity (Pcs.)
AFR 00400	400	1
AFR 00500	500	1
AFR 00600	600	1
AFR 00700	700	1
AFR 00800	800	1



AFP MCB Plates

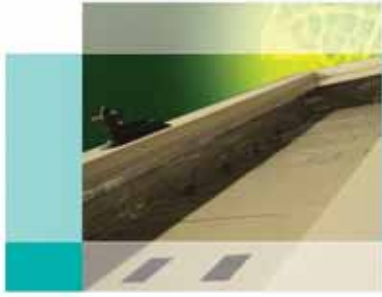
t=1,50 mm Pre-Galvanized



Modul Scope	Quantity
AFP MCB Plate	1
M8*15 Screw	2
M8 Nut	2
M8 Washer	2

P/N	Height (H) mm	Quantity (Pcs.)
AFP 00400	400	1
AFP 00500	500	1
AFP 00600	600	1
AFP 00700	700	1
AFP 00800	800	1





Enclosure Solutions

AC Free Standing Sub-Products and Moduls

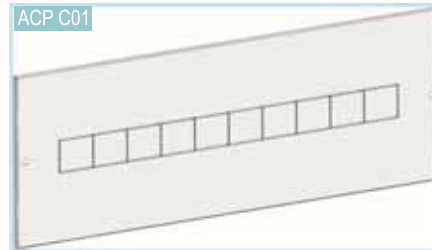
All Dimensions are in (mm),

ACP Cover Plates (for MCB Panels)

t=1,20 mm Sheet Steel, Powder Coating, Screwed

Module Scope	Quantity
ACP Cover Plate	1
M6*25 mm Screw	2

P/N	Height (H) mm	Width (W) mm	Quantity (Pcs.)
ACP 16400	160	400	1
ACP 16500		500	1
ACP 16600		600	1
ACP 16700		700	1
ACP 16800		800	1



- t=1.2 mm Mild Steel
- Electrostatic Powder Coated,
- Standard Colour Ral 7032,
- Cover Plates are used for Safety and Protection from Touching to Inside Components
- Cover Plates are Fixing to H-Profiles
- Height is Changable
- Special Cut-offs can Make on Cover-Sheets for MCB's, MCCB's or Other Special Components



AC Free Standing Sub-Products and Modules

All Dimensions are in (mm),

ACM

Contactor Mounting Panels

t=1,50 mm Galvanise Steel, Powder Coating, Screwed

Module Scope	Quantity
ACM Contactor Mounting Panel	1
ABP00200 Bracket	2
M8*15 mm Screw	4
M8 mm Nuts	4
M8 Spring Washer	4

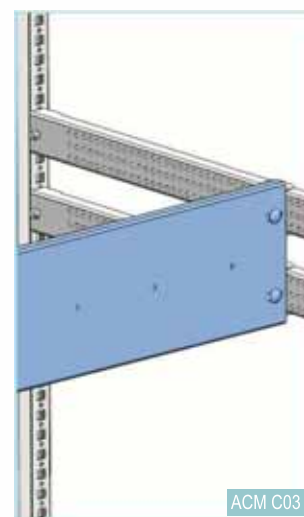
P/N	Height (H) mm	Width (W) mm	Quantity (Pcs.)
ACM 15400	150	400	1
ACM 15500		500	1
ACM 15600		600	1
ACM 15700		700	1
ACM 15800		800	1



ACM C01

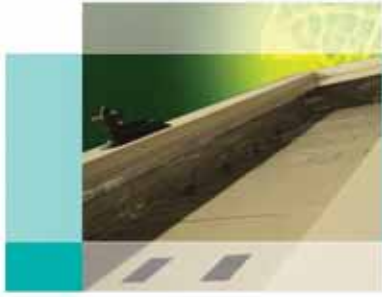


ACM C02



ACM C03





Enclosure Solutions

AC Free Standing Sub-Products and Modules

All Dimensions are in (mm),

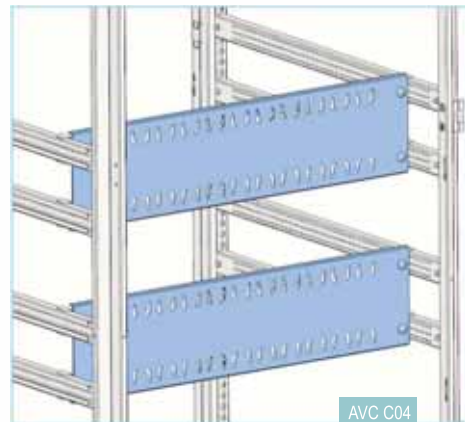
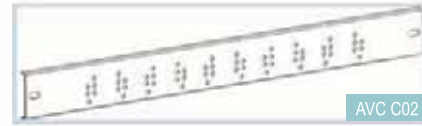
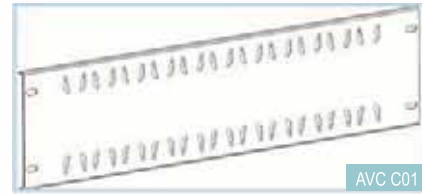
AVC Vertical Mounting Panels (for Multi Case Circuits Breakers)

t=1,50 mm Galvanise Steel, Screwed

Module Scope	Quantity
AVC Mounting Panel	1
AUB00200 Bracket	2
M8*15 mm Screw	4
M8 mm Nuts	4
M8 Spring Washer	4



P/N	Height (H) mm	Width (W) mm	Quantity (Pcs.)	Description
AVC 20400	200	400	1	25A - 250A
AVC 20500		500	1	
AVC 20600		600	1	
AVC 20700		700	1	
AVC 20800		800	1	
AVC 10400	100	400	1	400A - 630A
AVC 10500		500	1	
AVC 10600		600	1	
AVC 10700		700	1	
AVC 10800		800	1	
AVC 15400	150	400	1	
AVC 15500		500	1	
AVC 15600		600	1	
AVC 15700		700	1	
AVC 15800		800	1	





AC Free Standing Sub-Products and Moduls

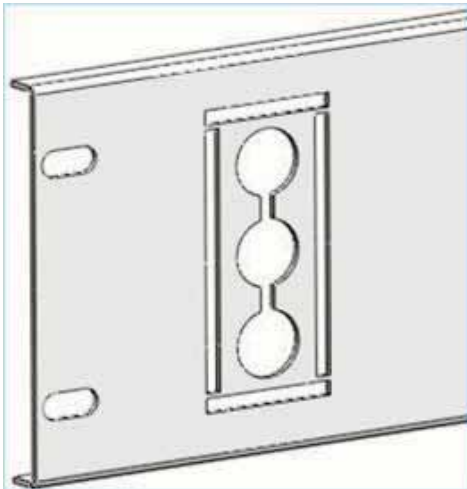
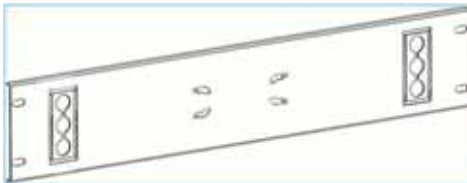
All Dimensions are in (mm),

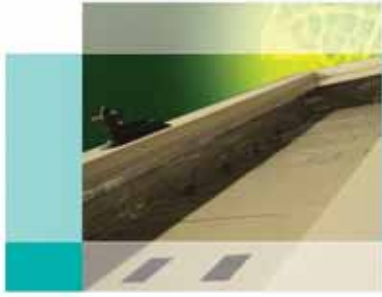
AHC Horizontal MCCB Mounting Panel (for Multi Case Circuits Breakers)

t=1,50 mm, Galvanised Steel, Screwed

Module Scope	Quantity
AHC MCCB Vertical Mounting Panel	1
AUB00200 Bracket	2
M8*15 mm Screw	4
M8 mm Nuts	4
M8 Spring Washer	4

P/N	Height (H) mm	Width (W) mm	Quantity (Pcs.)
AHC 1540	150	400	1
AHC 1550		500	1
AHC 1560		600	1
AHC 1570		700	1
AHC 1580		800	1





Enclosure Solutions

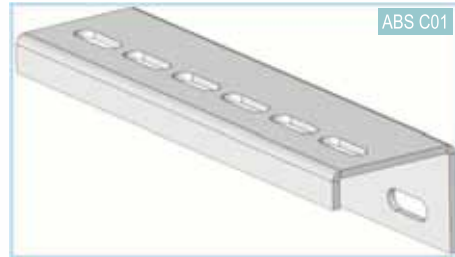
AC Free Standing Sub-Products and Modules

All Dimensions are in (mm),

ABS Bus-Bar Support Profiles (for Bus-Bar Mounting)

t=2,00 mm, Galvanised Steel, Screwed

Module Scope	Quantity
ABS Bus-Bar Support Profile	2
M6*15 mm Screw	2



P/N	Depth (D) mm	Quantity (Pcs.)
ABS 00300	300	1
ABS 00400	400	1
ABS 00500	500	1
ABS 00600	600	1
ABS 00700	700	1
ABS 00800	800	1



AJB Enclosures Joining Part

t=2,00 mm, Pre-Galvanised, Screwed

Module Scope	Quantity
AJB Joining Part	1
M8*15 mm Screw	1
M8 Spring Washer	1

P/N	Quantity (Pcs.)
AJB 0030	1



AC Free Standing Sub-Products and Modules

All Dimensions are in (mm),

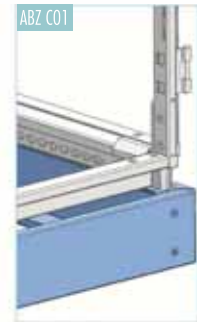
ABZ Base Modules (h=100 mm) t=2,00 mm Sheet Steel, Powder Coating, Screwed



Module Scope	Quantity
ABZ Base Modules	1
M6*12 mm Screw	16

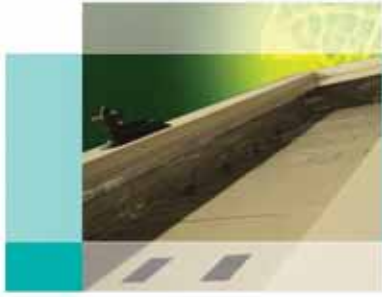
P/N	Width (W) mm	Depth (D) mm	Quantity (Pcs.)
ABZ 40400	400	400	1
ABZ 40500		500	1
ABZ 40600		600	1
ABZ 40700		700	1
ABZ 40800		800	1
ABZ 50400	500	400	1
ABZ 50500		500	1
ABZ 50600		600	1
ABZ 50700		700	1
ABZ 50800		800	1
ABZ 60400	600	400	1
ABZ 60500		500	1
ABZ 60600		600	1
ABZ 60700		700	1
ABZ 60800		800	1
ABZ 70400	700	400	1
ABZ 70500		500	1
ABZ 70600		600	1
ABZ 70700		700	1
ABZ 70800		800	1
ABZ 80400	800	400	1
ABZ 80500		500	1
ABZ 80600		600	1
ABZ 80700		700	1
ABZ 80800		800	1
ABZ 90400	900	400	1
ABZ 90500		500	1
ABZ 90600		600	1
ABZ 90700		700	1
ABZ 90800		800	1
ABZ 10400	1000	400	1
ABZ 10500		500	1
ABZ 10600		600	1
ABZ 10700		700	1
ABZ 10800		800	1

P/N	Width (W) mm	Depth (D) mm	Quantity (Ad.)
ABZ 11400	1100	400	1
ABZ 11500		500	1
ABZ 11600		600	1
ABZ 11700		700	1
ABZ 11800		800	1
ABZ 12400	1200	400	1
ABZ 12500		500	1
ABZ 12600		600	1
ABZ 12700		700	1
ABZ 12800		800	1



- Corners t=2.00mm, Sides t=1.20mm,
- Electrostatic Powder Coated
- Standard Colour Ral 9005 Black,
- Completely Modular
- Side Covers are Fixing to Corner Parts
- Corners are Fixing to Main Frame
- Corners are Distributes the Weight Homogenly to the Surface
- Base Module can be Fixed to Surface by Corners





Enclosure Solutions

AC Free Standing Sub-Products and Modules

All Dimensions are in (mm),

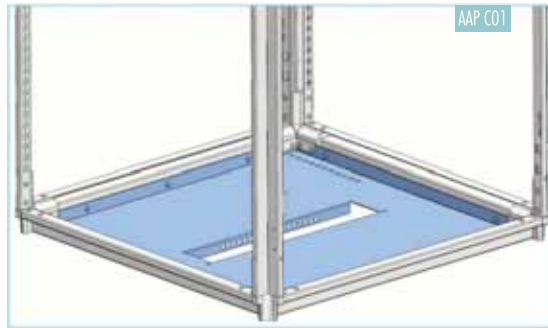
AAP

Bottom Plate

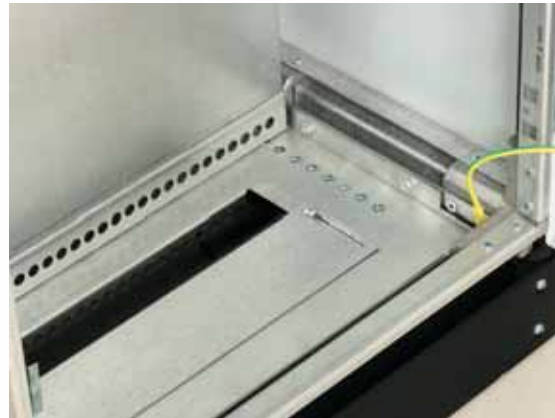
t=1,50 mm Pre-Galvanised, Screwed



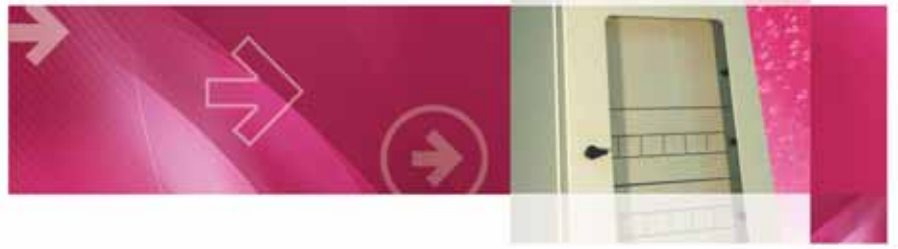
Modul Scope	Quantity
AAP Bottom Plate	1
M6*12 mm Top Type Screw	6



P/N	Width (W) mm	Depth (D) mm	Quantity (Pcs.)
AAP 40400	400	400	1
AAP 40500		500	1
AAP 40600		600	1
AAP 40700		700	1
AAP 40800		800	1
AAP 50400	500	400	1
AAP 50500		500	1
AAP 50600		600	1
AAP 50700		700	1
AAP 50800		800	1
AAP 60400	600	400	1
AAP 60500		500	1
AAP 60600		600	1
AAP 60700		700	1
AAP 60800		800	1
AAP 70400	700	400	1
AAP 70500		500	1
AAP 70600		600	1
AAP 70700		700	1
AAP 70800		800	1
AAP 80400	800	400	1
AAP 80500		500	1
AAP 80600		600	1
AAP 80700		700	1
AAP 80800		800	1



Attention!
Please Contact with our Sales Department about Special Cable Entrance Systems .



Dimensions

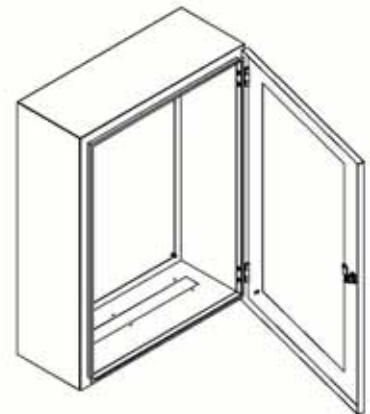
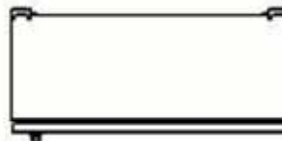
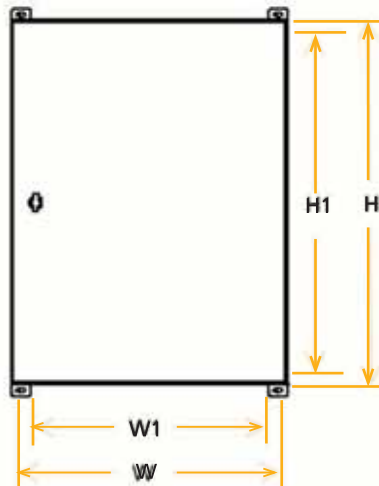
The Dimension Details of DM-Wall Mounted Monoblok Enclosures are Above.

All Dimensions are in mm.

H Height of Enclosure From Bottom to Top
H1 Height of Inside Between Depth Profiles

W Width of Enclosure From Right Side to Left Side
W1 Width of Inside Depth Profiles

D Depth of Enclosure Between in Front to Back
D1 Depth of Inside Between Horizontal Profiles



Standard Configuration

Modules	Quantity	Unit
DDP Main Body Module	1	Pcs.
DKP Front Door Module	1	Pcs.
DMT Mounting Plate (Overall)	1	Pcs.
DKG Cable Gland	1	Set
DBP Wall Mounted Brackets	1	Set
DMG DM-Grounding Set	1	Pcs.

Optional Equipments

Cover Panels
Cover Panels (for MCB's)
Front Door Alternatives
Brackets
Filters Parts
Outdoor Type Rain Canopies
Accessories

IP55



General

Monoblock, Welded Main Body Structure,
Sheet Plate, Galvanised and Stainless Steel,
Grounding Continuity,
High Corrosions Resistance,
Optimum Safety and Enviromental Protection,
Functional Equipments and Assembling Units,
Wide Application Space, Different Dimension Alternatives,
Application to IEC, EN, TS Standards,

Material

Main Body ; 1,00 -1,50mm Sheet Steel, Monoblok,
Front Doors; 2,00mm Sheet Steel,
Inside Mounting Parts are 1,20mm and 1,5mm Galvanised Steel,

Surface Processing

Main Body and Doors; pre-Phospated Electrostatic Powder Coating
Standard Colors; Ral 7032 Wrinkle
All Other Colors are Optional

IP Protection Class and Safety

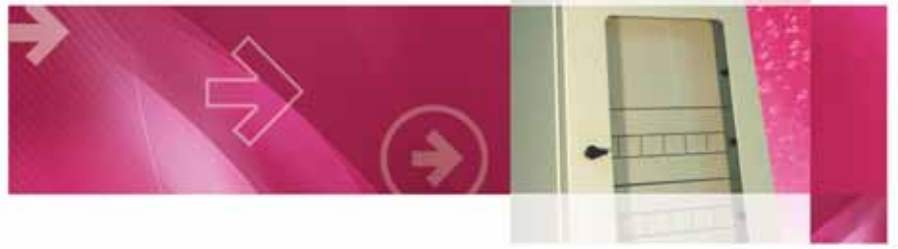
Poliurethane Foamed Gasket on the Front Door, up to IP 55 and IP 65,
Hidden Hinge Systems at Front Door, Right to Left Exchangeable,

Standards and Compatibility

ISO 9001,
Compattibility to TS , EN, IEC Standards,
TS EN 60529,
TS EN 62208,
TS EN 60439-1,
DIN VDE 0100,



IP65



DM WALL MOUNTED MONOBLOCK ENCLOSURES (Assembly)

All Dimensions are in (mm)

		Width x Depth (mm)								W x D (mm)	
		200*150	300*150	300*200	400*150	400*200	400*250	500*150	500*200	500*250	500*300
		Depth (mm)									
Height (mm)		w200	w300	w400			w500				
h300	Depth (D) mm	150	150								
	DM.. Model P/N	DM 30215	DM 30315								
	Product Weight (kg)										
	Shipping Volume (dm ³)										
h400	Depth (D) mm		150	200		200					
	DM.. Model P/N		DM 40315	DM 40320		DM 40420					
	Product Weight (kg)										
	Shipping Volume (dm ³)										
h500	Depth (D) mm				150	200	250				
	DM.. Model P/N				DM 50415	DM 50420	DM 50425				
	Product Weight (kg)										
	Shipping Volume (dm ³)										
h600	Depth (D) mm				150	200	250		200	250	
	DM.. Model P/N				DM 60415	DM 60420	DM 60425		DM 60520	DM 60525	
	Product Weight (kg)										
	Shipping Volume (dm ³)										
h700	Depth (D) mm								200	250	
	DM.. Model P/N								DM 70520	DM 70525	
	Product Weight (kg)										
	Shipping Volume (dm ³)										
h800	Depth (D) mm								200	250	300
	DM.. Model P/N								DM 80520	DM 80525	DM 80530
	Product Weight (kg)										
	Shipping Volume (dm ³)										
h900	Depth (D) mm										
	DM.. Model P/N										
	Product Weight (kg)										
	Shipping Volume (dm ³)										
h1000	Depth (D) mm										
	DM.. Model P/N										
	Product Weight (kg)										
	Shipping Volume (dm ³)										
h1200	Depth (D) mm										
	DM.. Model P/N										
	Product Weight (kg)										
	Shipping Volume (dm ³)										



Ürün Çözümleri

dm
WALL MOUNTED ENCLOSURES

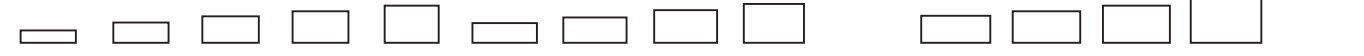
DM WALL MOUNTED MONOBLOCK ENCLOSURES (Assembly)

All Dimensions are in (mm)

Geni•lik x Derinlik (mm)

W x D (mm)

600*150 600*200 600*250 600*300 600*400 700*200 700*250 700*300 700*400 800*250 800*300 800*400 800*500

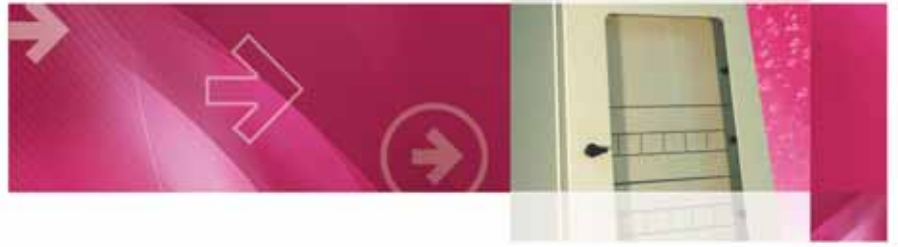


w600

w700

w800

200 DM 70620			250 DM 70625			300 DM 70630								
200 DM 80620			250 DM 80625			300 DM 80630								
250 DM 90625			300 DM 90630											
250 DM 10625			300 DM 10630			400 DM 10640			250 DM 10725		300 DM 10730		400 DM 10740	
					300 DM 12730		400 DM 12740		250 DM 12825		300 DM 12830		400 DM 12840	



DM WALL MOUNTED MONOBLOCK ENCLOSURES (Assembly)

All Dimensions are in (mm)

DM

H=300 mm

Wall Mounted Monoblock Enclosures

h300

P/N	Width (W) mm	Depth (D) mm	Inside Mounting Area (W1*H1) mm	Inside Mounting Depth (D1) mm	Packaging Dimensions (Ph*Pw*Pd) mm
DM 30215	200	150	165*265	115	320*220*170
DM 30315	300	150	265*265	115	320*320*170

DM

H=400 mm

Wall Mounted Monoblock Enclosures

h400

P/N	Width (W) mm	Depth (D) mm	Inside Mounting Area (W1*H1) mm	Inside Mounting Depth (D1) mm	Packaging Dimensions (Ph*Pw*Pd) mm
DM 40315	300	150	265*365	115	420*320*170
DM 40320		200		165	420*320*220
DM 40420	400	200	365*365	165	420*420*220

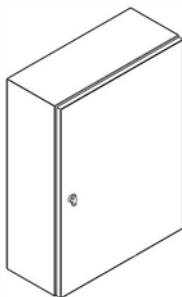
DM

H=500 mm

Wall Mounted Monoblock Enclosures

h500

P/N	Width (W) mm	Depth (D) mm	Inside Mounting Area (W1*H1) mm	Inside Mounting Depth (D1) mm	Packaging Dimensions (Ph*Pw*Pd) mm
DM 40315	400	150	365*465	115	520*420*170
DM 40320		200		165	520*420*220
DM 40420		250		215	520*420*270



DM Standard Configuration

Modules		Quantity	Unit
DDP	Main Body Module	1	Pcs.
DKP	Front Door Module	1	Pcs.
DMT	Mounting Plate (Overall)	1	Pcs.
DKG	Cable Gland	1	Set
DBP	Wall Mounting Brackets	1	Set
DMG	DM - Grounding Set	1	Pcs.

DM WALL MOUNTED MONOBLOCK ENCLOSURES (Assembly)

All Dimensions are in (mm)

H=600 mm

DM Wall Mounted Monoblock Enclosures

h600

P/N	Width (W) mm	Depth (D) mm	Inside Mounting Area (W1*H1) mm	Inside Mounting Depth (D1) mm	Packaging Dimensions (Ph*Pw*Pd) mm
DM 60415	400	150	365*565	115	630*430*180
DM 60420		200		165	630*430*230
DM 60425		250		215	630*430*280
DM 60520	500	200	465*565	165	630*530*230
DM 60525		250		215	630*530*280

H=700 mm

DM Wall Mounted Monoblock Enclosures

h700

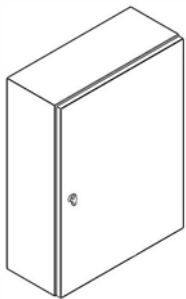
P/N	Width (W) mm	Depth (D) mm	Inside Mounting Area (W1*H1) mm	Inside Mounting Depth (D1) mm	Packaging Dimensions (Ph*Pw*Pd) mm
DM 70520	500	200	465*665	165	730*530*230
DM 70525		250		215	730*530*280
DM 70620	600	200	565*665	165	730*630*230
DM 70625		250		215	730*630*280
DM 70630		300		265	730*630*330

H=800 mm

DM Wall Mounted Monoblock Enclosures

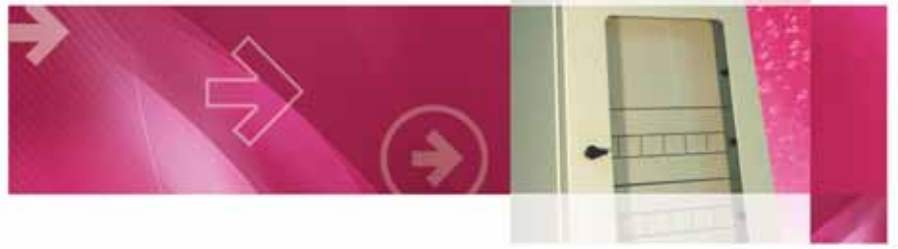
h800

P/N	Width (W) mm	Depth (D) mm	Inside Mounting Area (W1*H1) mm	Inside Mounting Depth (D1) mm	Packaging Dimensions (Ph*Pw*Pd) mm
DM 80520	500	200	465*665	165	830*530*230
DM 80525		250		215	830*530*280
DM 80530		300		265	830*530*330
DM 80620	600	200	565*765	165	830*630*230
DM 80625		250		215	830*630*280
DM 80630		300		265	830*630*330



DM Standard Configuration Modules

Modules	Quantity	Unit
DDP Main Body Module	1	Pcs.
DKP Front Door Module	1	Pcs.
DMT Mounting Plate (Overall)	1	Pcs.
DKG Cable Gland	1	Set
DBP Wall Mounting Brackets	1	Set
DMG DM - Grounding Set	1	Pcs.



DM WALL MOUNTED MONOBLOCK ENCLOSURES (Assembly)

All Dimensions are in (mm)

DM H=900 mm Wall Mounted Monoblock Enclosures

h900

P/N	Width (W) mm	Depth (D) mm	Inside Mounting Area (W1*H1) mm	Inside Mounting Depth (D1) mm	Packaging Dimensions (Ph*Pw*Pd) mm
DM 90625	600	250	565*865	215	930*630*230
DM 90630		300		265	

DM H=1000 mm Wall Mounted Monoblock Enclosures

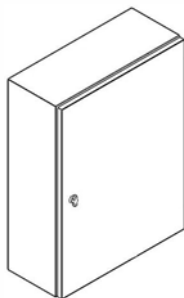
h1000

P/N	Width (W) mm	Depth (D) mm	Inside Mounting Area (W1*H1) mm	Inside Mounting Depth (D1) mm	Packaging Dimensions (Ph*Pw*Pd) mm
DM 10625	600	250	565*965	215	1040*640*230
DM 10630		300		265	1040*630*330
DM 10640		400		365	1040*640*430
DM 10725	700	250	665*965	215	1040*740*280
DM 10730		300		265	1040*740*330
DM 10740		400		365	1040*740*430

DM H=700 mm Wall Mounted Monoblock Enclosures

h700

P/N	Width (W) mm	Depth (D) mm	Inside Mounting Area (W1*H1) mm	Inside Mounting Depth (D1) mm	Packaging Dimensions (Ph*Pw*Pd) mm
DM 12730	700	300	665*1165	265	1240*740*330
DM 12740		400		365	1240*740*330
DM 12825	800	250	765*1165	215	1240*840*280
DM 12830		300		265	1240*840*330
DM 12840		400		365	1240*840*430



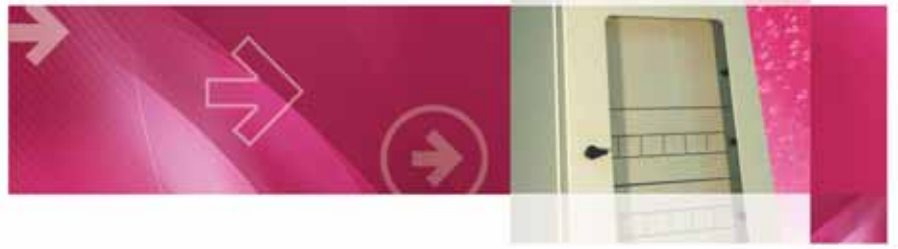
DM Modules	Standard Configuration	Quantity	Unit
DDP	Main Body Module	1	Pcs.
DKP	Front Door Module	1	Pcs.
DMT	Mounting Plate (Overall)	1	Pcs.
DKG	Cable Gland	1	Set
DBP	Wall Mounting Brackets	1	Set
DMG	DM - Grounding Set	1	Pcs.



DM WALL MOUNTED MONOBLOCK ENCLOSURES (Assembly)

All Dimensions are in (mm)

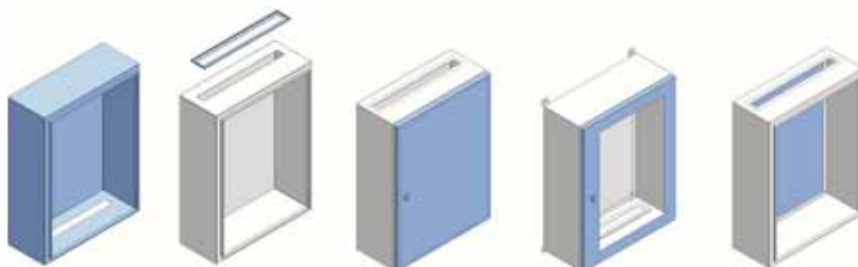




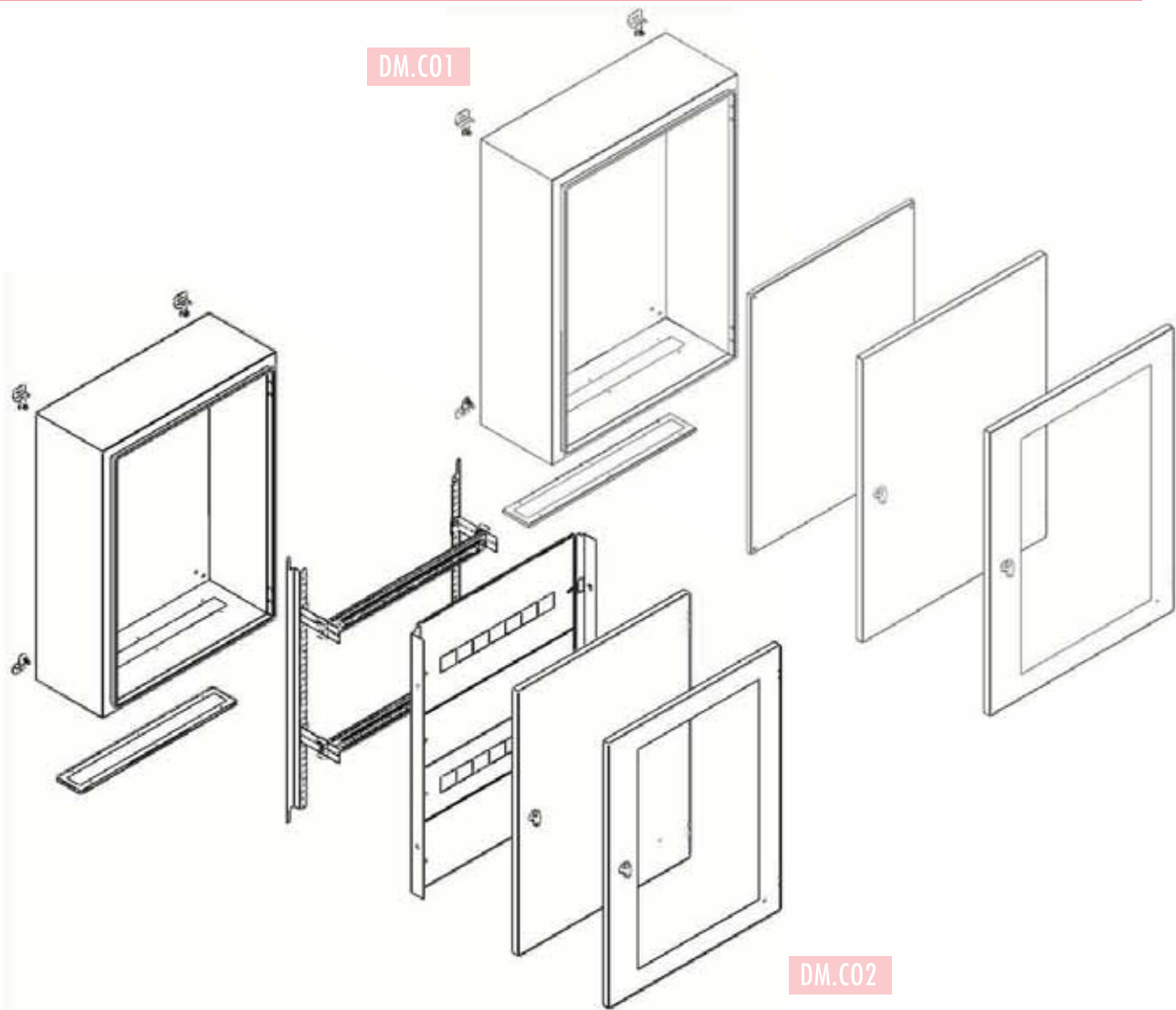
DM PRODUCT STRUCTURE

Product Structure	
Modules	
DDP	Main Body Modules
DKP	Front Doors Module (Solid)
DKC	Front Doors (Framed for Glass)
DKG	Cable Gland Panels
DMT	Mounting Plates (Overall)
DPH	Cover Plates Profiles (for Left and Right)
DPP	Cover Plates (Solid)
DCP	Cover Plates (for MCB Panels)
DMG	DM-Grounding Set
DKL	Locking Systems
DBP	Wall Mounting Brackets
DBZ	DM - Bases
DFB	MCB Panels
DFR	MCB Rails

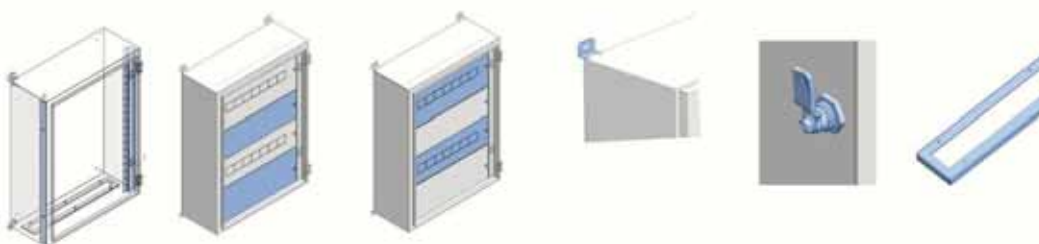
Main Body	Cable Gland Panel	Front Door (Solid)	Front Door (Framed)	Mounting Plate
DDP	DKG	DKP	DMT	DMT

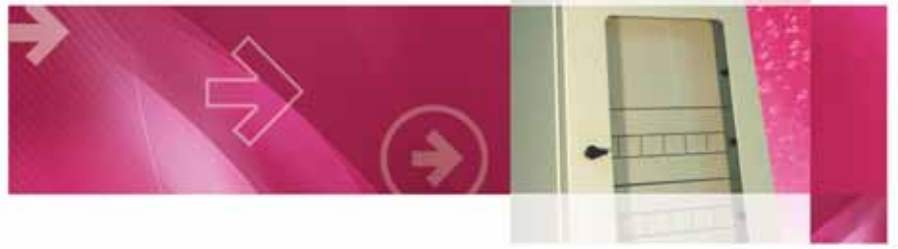


DM PRODUCT STRUCTURE



Cover Plate Profile	Cover Plate (Solid)	Cover Plate (MCB)	Wall Mounting Bracket	Locking	Cable Entry Panels
DDP	DKG	DKP	DMT	DMT	A, B, C...





DM Wall Mounted Monoblock Sub-Products and Moduls

All Dimensions are in (mm)

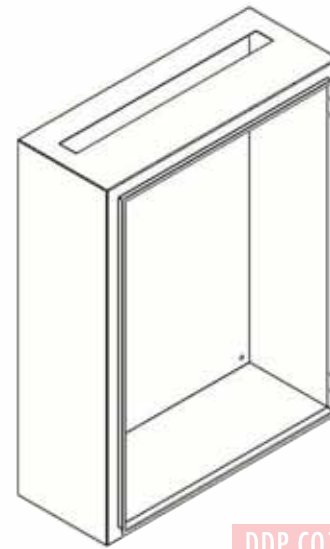
DDP

Main Body

t=1,00 - 1,50mm, Sheet Steel, Welded



P/N	Dimension (H*W*D) mm	Quantity (Pcs.)
DDP 30215	300*200*150	1
DDP 30315	300*300*150	1
DDP 40315	400*300*150	1
DDP 40320	400*300*200	1
DDP 40420	400*400*200	1
DDP 50415	500*400*150	1
DDP 50420	500*400*200	1
DDP 50425	500*400*250	1
DDP 60415	600*400*150	1
DDP 60420	600*400*200	1
DDP 60425	600*400*250	1
DDP 60520	600*500*200	1
DDP 60525	600*500*250	1
DDP 70520	700*500*200	1
DDP 70525	700*500*250	1
DDP 70620	700*600*200	1
DDP 70625	700*600*250	1
DDP 70630	700*600*300	1
DDP 80520	800*500*200	1
DDP 80525	800*500*250	1
DDP 80530	800*500*300	1
DDP 80620	800*600*200	1
DDP 80625	800*600*250	1
DDP 80630	800*600*300	1
DDP 90625	900*600*250	1
DDP 90630	900*600*300	1
DDP 10625	1000*600*250	1
DDP 10630	1000*600*300	1
DDP 10640	1000*600*400	1
DDP 10725	1000*700*250	1
DDP 10730	1000*700*300	1
DDP 10740	1000*700*400	1
DDP 12730	1200*700*300	1
DDP 12740	1200*700*400	1
DDP 12825	1200*800*250	1
DDP 12830	1200*800*300	1
DDP 12840	1200*800*400	1



DDP.C01

- t=1,20 mm / 1,50 mm Sheet Steel
- Welded Frame
- Main body is designed for providing high mechanical strength for lifetime.



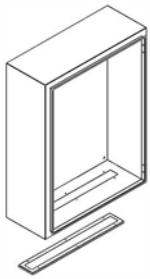
DM Wall Mounted Monoblock Sub-Products and Modules

All Dimensions are in (mm)

DKG

Cable Entry Panels

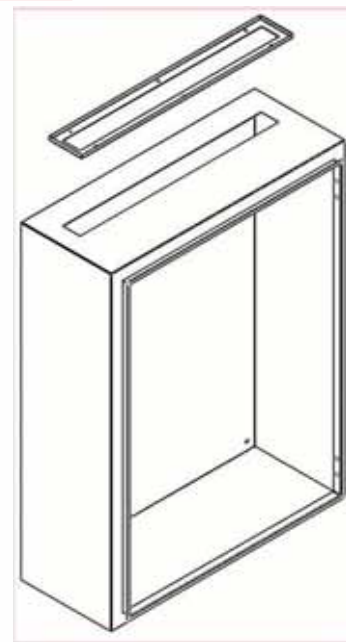
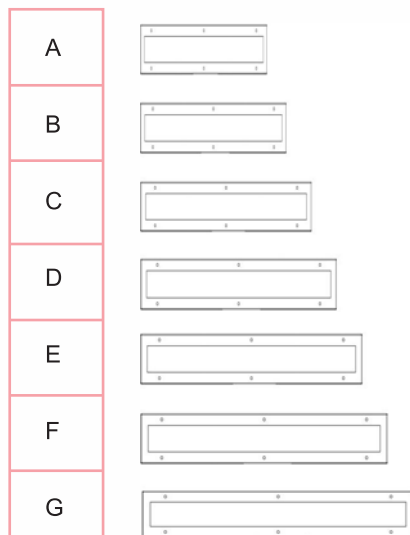
t=1,20 mm, Galvanized Sheet Steel, Screwed



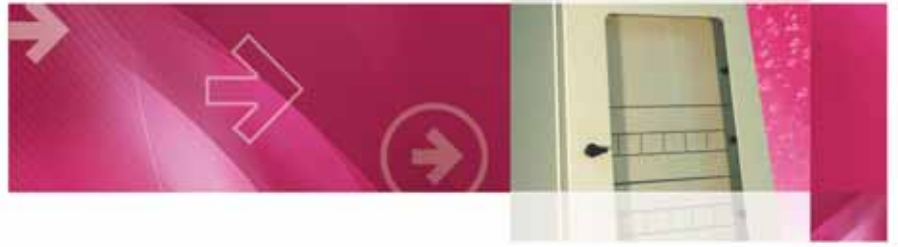
Module Scope	Quantity (Pcs.)
DKG Cable Entry Panel	1
Entry Gasket Plate	1
M5*15 mm Screw	6
M5 Nuts	6

DKG Cable Entry Panel	1
Entry Gasket Plate	1
M5*15 mm Screw	6
M5 Nuts	6

P/N	Enclosure Width (W) mm	Entry Panel Type	Entry Panel Width (W) mm	Quantity (Pcs)
DKG 03002	300	A	250	1
DKG 04003	400	B	350	1
DKG 05004	500	C	450	1
DKG 06005	600	D	550	1
DKG 06022	600	A+A	250+250	1
DKG 07000	700	E	650	1
DKG 07033	700	A+A	250+250	1
DKG 08007	800	F	750	1
DKG 08033	800	B+B	350+350	1
DKG 09007	900	G	850	1
DKG 09035	900	B+B	350+350	1
DKG 10044	1000	C+C	450+450	1
DKG 12055	1200	D+D	550+550	1



DKG.C01



DM Wall Mounted Monoblock Sub-Products and Modules

All Dimensions are in (mm)

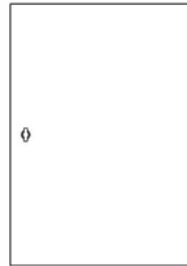
DKP

Front Doors (SOLID)

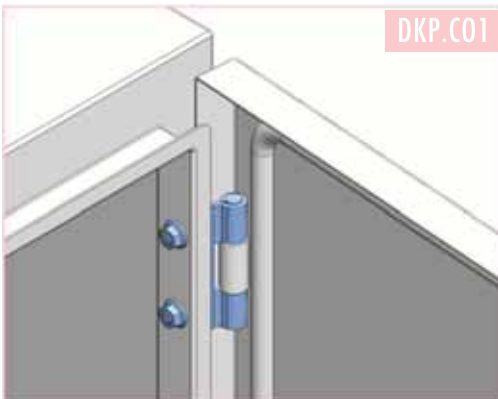
t=1,50 mm, Sheet Steel, Powder Coating, Locked



Module Scope	Quantity (Pcs.)
DKP Front Door (Solid)	1
110° Hidden Hinge Set	2
One Point Lock	1
DMG 1*6 mm ² G Grounding Set	1



P/N	Height (H) mm	Width (W) mm	Quantity (Pcs)
DKP 03020	300	200	1
DKP 03030		300	1
DKP 04030	400	300	1
DKP 04040		400	1
DKP 05040	500	400	1
DKP 06040	600	400	1
DKP 06050		500	1
DKP 07050	700	500	1
DKP 07060		600	1
DKP 08050	800	500	1
DKP 08060		600	1
DKP 09060	900	600	1
DKP 10060	1000	600	1
DKP 10070		700	1
DKP 12070	1200	700	1
DKP 12080		800	1



DKP.C01

- t=1,50/2,00mm Sheet Steel,
- Electrostatic Powder Coated Standart Colour Ral 7032,
- Front doors can open 110°



DM Wall Mounted Monoblock Sub-Products and Modules

All Dimensions are in (mm)

DKP

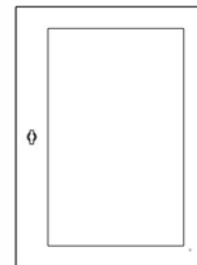
Front Doors (Framed for glassed)

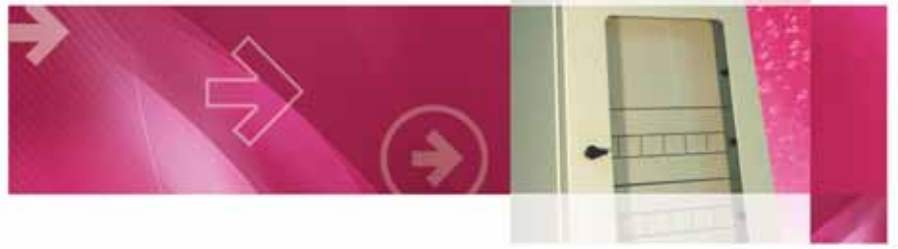
t=1,50 mm, Sheet Steel Framed, Powder Coating, Locked



Module Scope	Quantity (Pcs.)
DKP Front Door (Framed for glass)	1
110° Hidden Hinge Set	2
One Point Lock	1
DMG 1*6 mm ² Grounding Set	1

P/N	Height (H) mm	Width (W) mm	Quantity (Pcs.)
DKC 03020	300	200	1
DKC 03030		300	1
DKC 04030	400	300	1
DKC 04040		400	1
DKC 05040	500	400	1
DKC 06040	600	400	1
DKC 06050		500	1
DKC 07050	700	500	1
DKC 07060		600	1
DKC 08050	800	500	1
DKC 08060		600	1
DKC 09060	900	600	1
DKC 10060	1000	600	1
DKC 10070		700	1
DKC 12070	1200	700	1
DKC 12080		800	1





DM Wall Mounted Monoblock Sub-Products and Modules

All Dimensions are in (mm)

DMT

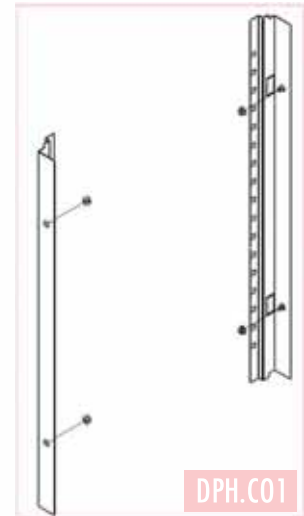
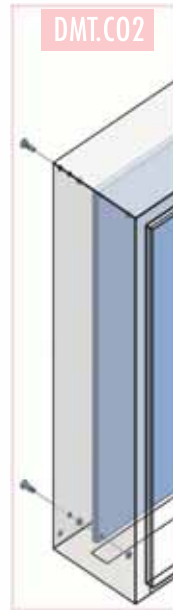
Mounting Plate

t=1,50 mm, Galvanised Sheet Steel, Screwed



Module Scope	Quantity (Pcs.)
DMT Mounting Plate	1
M6*35 mm Screw	4
M6 Nuts	8
DMG 1*6 mm ² Grounding Set	1

P/N	Height (H) mm	Width (W) mm	Quantity (Pcs)
DMT 03020	300	200	1
DMT 03030		300	1
DMT 04030	400	300	1
DMT 04040		400	1
DMT 05040	500	400	1
DMT 06040		400	1
DMT 06050	600	500	1
DMT 07050		500	1
DMT 07060	700	600	1
DMT 08050		500	1
DMT 08060	800	600	1
DMT 09060		600	1
DMT 10060	1000	600	1
DMT 10070		700	1
DMT 12070	1200	700	1
DMT 12080		800	1



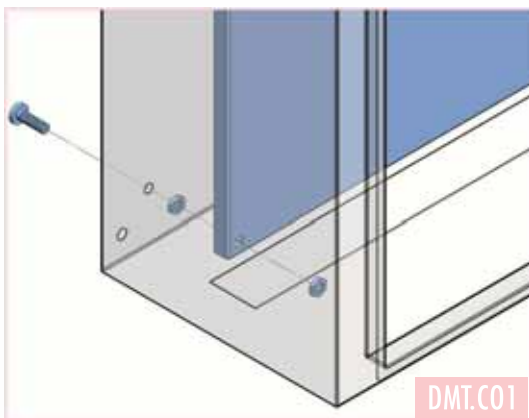
Cover Plate Profiles (for left and right)

t=1,20 mm, Sheet Steel, Powder Coating, Screwed

DMT

Modul Scope	Quantity (Pcs.)
DPH Cover Plate Profile	2
M6*15 mm Screwed	4
M6 Nuts	4
M6 Spring Washer	4

P/N	Height (H) mm	Quantity (Pcs)
DPH 00030	300	2
DPH 00040	400	2
DPH 00050	500	2
DPH 00060	600	2
DPH 00070	700	2
DPH 00080	800	2
DPH 00090	900	2
DPH 00100	1000	2
DPH 00120	1200	2



■ t=1,50 / 2,00 mm Galvanised steel



DM Wall Mounted Monoblock Sub-Products and Modules

All Dimensions are in (mm)

DMT

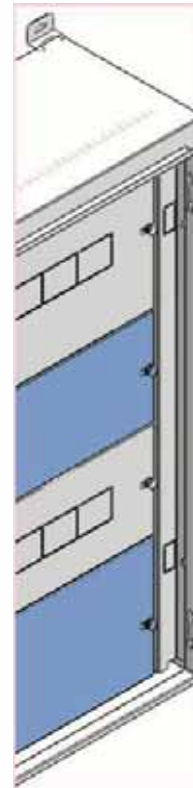
Cover Plates (Solid)

t=1,20 mm, Sheet Steel, Powder Coating, Screwed

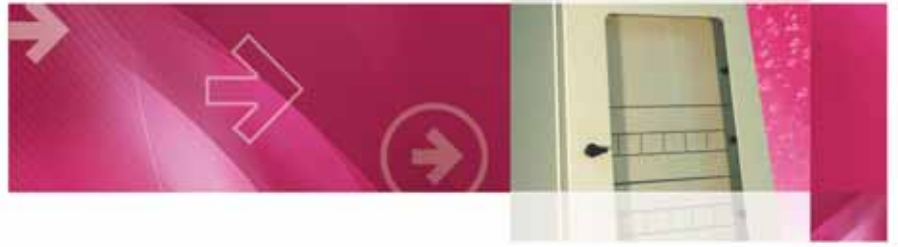


Module Scope	Quantity (Pcs.)
DPP Cover Plate (Solid)	1
M6*35 mm Screw	6
M6 Nuts	6

P/N	Height (H) mm	Width (W) mm	Quantity (Pcs)	P/N	Height (H) mm	Width (W) mm	Quantity (Pcs)
DPP 08300	80	300	1	DPP 48300	400	300	1
DPP 08400		400	1	DPP 48400		400	1
DPP 08500		500	1	DPP 48500		500	1
DPP 08600		600	1	DPP 48600		600	1
DPP 08700		700	1	DPP 48700		700	1
DPP 08800		800	1	DPP 48800		800	1
DPP 16300	160	300	1				
DPP 16400		400	1				
DPP 16500		500	1				
DPP 16600		600	1				
DPP 16700		700	1				
DPP 16800		800	1				
DPP 24300	240	300	1				
DPP 24400		400	1				
DPP 24500		500	1				
DPP 24600		600	1				
DPP 24700		700	1				
DPP 24800		800	1				
DPP 32300	320	300	1				
DPP 32400		400	1				
DPP 32500		500	1				
DPP 32600		600	1				
DPP 32700		700	1				
DPP 32800		800	1				
DPP 40300	400	300	1				
DPP 40400		400	1				
DPP 40500		500	1				
DPP 40600		600	1				
DPP 40700		700	1				
DPP 40800		800	1				



DPP.C01



DM Wall Mounted Monoblock Sub-Products and Modules

All Dimensions are in (mm)

DCP

Cover Plates (for MCB Panels)

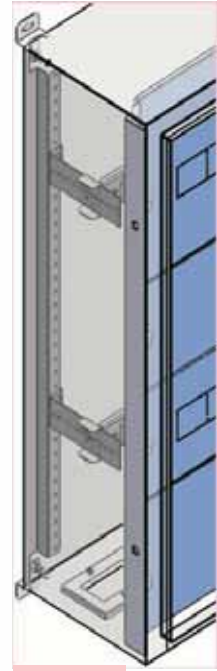
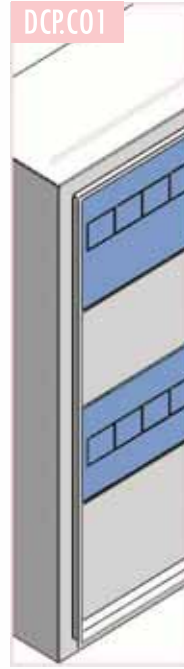
t=1,20 mm, Sheet Steel, Powder Coating, Screwed



Module Scope	Quantity (Pcs.)
DCP Cover Plate	1
M6*35 mm Screw	6
M6 Nuts	6

P/N	Height (H) mm	Width (W) mm	Quantity (Pcs)
DCP 16300	160	300	1
DCP 16400		400	1
DCP 16500		500	1
DCP 16600		600	1
DCP 16700		700	1
DCP 16800		800	1

DCP.C01

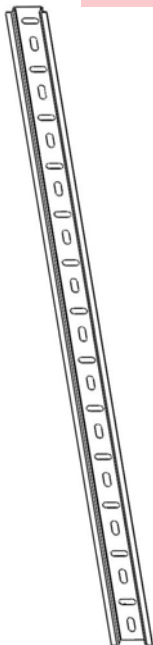


DCP.C02

DFR

MCB Rails

t=1,00 mm, Pre-Galvanized, Screwed



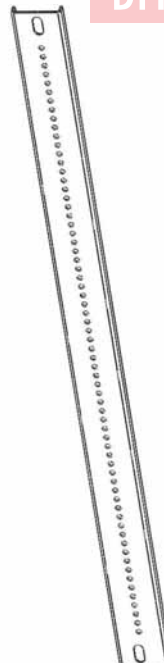
Module Scope	Quantity (Pcs.)
DFR MCB Rail	1
M6*12 Top Type Screw	2

P/N	Width (W) mm	Quantity (Pcs)
DFR 00300	300	1
DFR 00400	400	1
DFR 00500	500	1
DFR 00600	600	1
DFR 00700	700	1
DFR 00800	800	1

DFP

MCB Plates

t=1,50 mm, Pre-Galvanized Sheet Steel Screwed



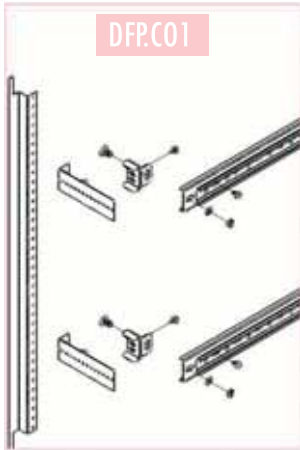
Module Scope	Quantity (Pcs.)
SPF MCB Plate	1
M8 mm Nuts	4
M8 Washer	2

P/N	Width (W) mm	Quantity (Pcs)
DFP 00300	300	1
DFP 00400	400	1
DFP 00500	500	1
DFP 00600	600	1
DFP 00700	700	1
DFP 00800	800	1



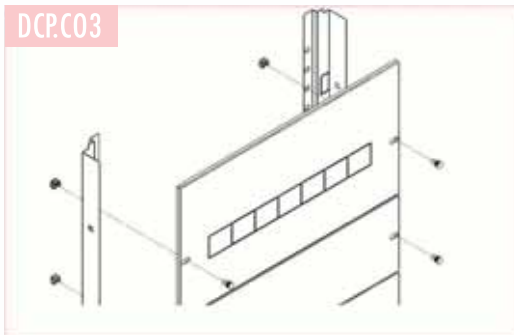
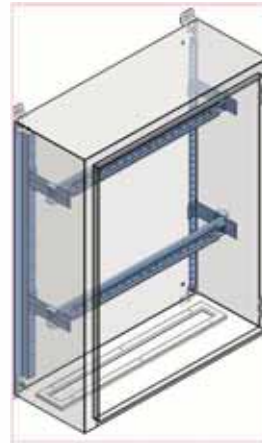
DM Wall Mounted Monoblock Sub-Products and Moduls

All Dimensions are in (mm)

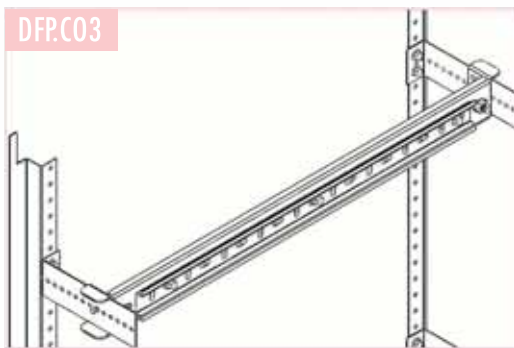


DFP.C01

DFP.C02



DCP.C03



DFP.C03

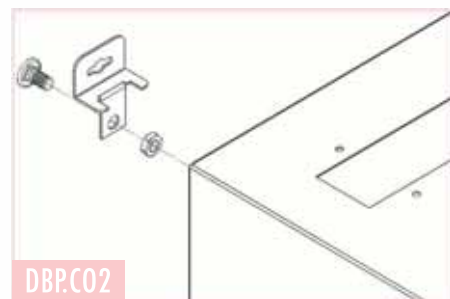
DBP Brackets (for Wall Mounting)



P/N	Description	Quantity (Pcs)
DFR 00020	Wall Mounting Bracket	4



DBP.C01



DBP.C02



PSd STAINLESS STEEL FREE STANDING ENCLOSURES (Assembly)

Free Standing Types

- Demontable, Free Standing Modular Type
- Main Frame; 1,50mm Stainless Steel , W-Profile System
- Covers; 1,20mm Stainless Steel
- Front Door; 1,50mm Stainless Steel
- Grounding Continuity
- Poliurethane Gasket Foamed, Protection Class IP55
- 4 Point Locking System at the Doors
- Covers are Removable and Fixed by screws
- 135° opening Hinge System at Doors
- Functional Accessories and Fixing Equipments
- Locking System and screws can be stainless
- Wide Dimension Alternatives
- Compatibility to IEC, EN, TS standards
- TS EN 60529
- TS EN 62208
- TS EN 60439-1





Enclosure Solutions

PS

STAINLESS STEEL SERIES





PSd STAINLESS STEEL FREE STANDING ENCLOSURES (Assembly)

Base Dimensions excluded

PSd

H=2020 mm

h2020

P/N	Width (W) mm	Depth (D) mm
PSD 20254	500	400
PSD 20255		500
PSD 20256		600
PSD 20257		700
PSD 20258		800
PSD 20264	600	400
PSD 20265		500
PSD 20266		600
PSD 20267		700
PSD 20268	700	800
PSD 20274		400
PSD 20275		500
PSD 20276		600
PSD 20277	700	700
PSD 20278		800

PSd

H=1860 mm

h1860

P/N	Width (W) mm	Depth (D) mm
PSD 18654	500	400
PSD 18655		500
PSD 18656		600
PSD 18657		700
PSD 18658	600	800
PSD 18664		400
PSD 18665		500
PSD 18666		600
PSD 18667	700	700
PSD 18668		800
PSD 18674		400
PSD 18675		500
PSD 18676	700	600
PSD 18677		700
PSD 18678		800



PS Standard Configuration

Modules	Quantity	Unit
PDP Vertical Profile	4	Pcs
PYP Horizontal Width Profile	4	Pcs
PYP Horizontal Depth Profile	4	Pcs
PKB Corner Set (steel)	8	Set
PMT Mounting Plate	1	Set
PUK Top Cover	1	Set
PAP Bottom Plate	1	Set
PAK Back Cover	1	Set
PYK Side Cover	2	Set
PKP Front door	1	Set
PBZ Base Module (h:100mm)	1	Set
PCG PC-Grounding Set	1	Set



Ürün Çözümleri

PSd STAINLESS STEEL FREE MOUNTED ENCLOSURES (Assembly)

Base Dimensions excluded

PSw

h400

P/N	width (W) mm	Depth (D) mm
PSW 40315	300	150
PSW 40320		200
PSW 40420	400	200

h500

PSW 50415	400	400
PSW 50420		500
PSW 50425		600

h600

PSW 60415	400	400
PSW 60420		500
PSW 60425		600
PSW 60520	500	700
PSW 60525		800

h700

PSW 70520	500	400
PSW 70525		500
PSW 70620		600
PSW 70625	600	700
PSW 70630		800

h800

PSW 80520	500	200
PSW 80525		250
PSW 80530		300
PSW 80620	600	200
PSW 80625		250
PSW 80630		300

h900

PSW 90625	600	250
PSW 90630		300

h1000

PSW 10625	600	250
PSW 10630		300
PSW 10640		400
PSW 10725	700	250
PSW 10730		300
PSW 10740		400





PS STAINLESS STEEL (Assembled)

All Dimensions are in (mm)





Enclosure Solutions

PS
STAINLESS STEEL SERIES

Custom Design Products





Telecom Outdoor Cabinets

SPECIFICATION

- Single Wall and Double Wall
- High Corrosion Resistance Aluminium Structure
- Providing Required Heating and Cooling
- Mechanical Protection Against Physical and Environmental Effect
- Providing Required Dimensions

APPLICATION

- Outdoor Type Energy Control and Distribution
- Outdoor Type, Telecommunication and Network Applications
- Traffic Control, Safety and Monitoring Systems

Protection Agains

- Physical Environment Condition, ETS 300 019-1
- Thermal Heat Variation ,
- Mechanical Effects IEC 68-2-27
- Electromagnetic Interference (EMC),
- Vandalism,





Enclosure Solutions



TELECOM OUTDOOR CABINETS

General

Main Frame from Aluminium Extrusion Profile,
Indoor Parts from Stainless Steel ,
Grounding Continuity,
High Corrosion Resistance,
Optimum Safety , Thermal Protection,
Functional Accessories
Wide Usage Area, Different Dimensions,
Compatibility to ETSI, IEC, EN, TS

Material

Main Frame ; 2,00mm Extrusion Aluminium Profile System,
Exterior Covers ; 3,0mm Aluminium Sheet
Interior Covers; 3,0mm Aluminium Sheet
19"- 21" Mounting System; 2,00mm Stainless Steel

Surface Processing

Main Body and Doors; Chromated Electrostatic Powder Coating
Standard Colors; Ral 7032 Wrinkle
All Other Colors are Optional

Protection Class and Safety

IP Class 55,
3 Point Locking System at All Doors,
Protection Against Vandalism at Locking System,max.165°Hinge System
Protection against Thermal Heat Exchanges, by Aluminium Structure,

Surface Processing

All Aluminium Structure; Chromat Plated and Isolated against
Heat and Ultraviolet Light by Electrostatic Powder Coating.
Standard Color is Ral7032 Wrinkle .

Standards and Compatibility

ISO 9001,
Compatibility to ETSI, TS , EN, IEC ,
TS EN 60529,
TS EN 69050,



Inside Parts of Cabinet

Inside parts of cabinet designed to protect the cabinet from, dust and harmful materials and insects and also protecting against humidity caused by sudden heat changing.

All of cable organising parts turned by plastic parts to protect cables from cutting, and produced to provide practical movement of cables.

The holes of cabinet and climating are designed to minimize noise. By this design we can gain isolation. All of the cabinet, including the climating holes designed to provide good acoustic condition.

All of the parts used for fixturing and mounting are anticorrosive.

Main Frame, door-cover mounting and inside parts provide grounding continuity.



MDF Separations built by placing Reglet connection proofs according to number of ports. . Reglet proofs made from Stainless Steel .

This placing provides good organisation of cables to fixturing points.

At cable passing roads, suitable for UL94 normed PVC cable organisers used.

MDF Unit





Enclosure Solutions



TELECOM OUTDOOR CABINETS

Battery and rectifier divisions designed to provide enough climating and placing spaces according to physical specification of units.

Battery units placed onto braceleted shelves. This shelves are height adjustable.

Rectifier units are mounted to 19" or 21" profiles.

For organising cables between divisions, protected cable crossing parts designed.



Battery and Rectifier Unit



To DSLM Unit;

19" and/or 21" DSLM and other Termination Units (F/O ODF, Splitter etc.) can be easily mounted.

At Battery-Rectifier Unit and DSLM Unit doors , there is enough space for Climating Units (Heat Exchanger etc.)

DSL / ODF / Splitter Unit



Mechanical Specifications



All of the doors and covers are produced from 3mm aluminium sheet. To strength the surface some special forms are used.

Door hinges are along side of doors. Hinges can bear the loads and durable agains weights at the door.

Doors and Covers

All of the doors are protected against vandalism and have 3 point locking system.

The keys at the doors can be different chippered.

Reaching to inside of cabinet can be done only by locking points.



Locking system has 3 point locking. Bottom of cabinet, top of cabinet and from center of door.

Profile slipped gasket system and dust filaments provide continious protection.





Roof (Canopy)

Canopy protects whole cabinet from external effects. The shape can be convex or straight. Louvers are used to provide air circulation at the doors. Removable only inside of cabinet.



Standard height of base is 100mm ,but can be made according to users requirements. Specially for underground applications it can be made from Hot-dip galvanised buried base.

Base Unit



Some cable organising holes can be specially design for customer requirements.





Accessories



Reglet Roof Modules made from, 1,50mm Stainless Steel.

According to Project , can be made 10, 50, 100, 150, 250 per blocks.

Reglet Roof Modules

Inside Door Shelf



Unit Lighting Set

Cabinet inside lighting is 48V DC. Every separate unit lighted separately.

It is used for controlling cabinet lighting system.



Door Control Switch Set



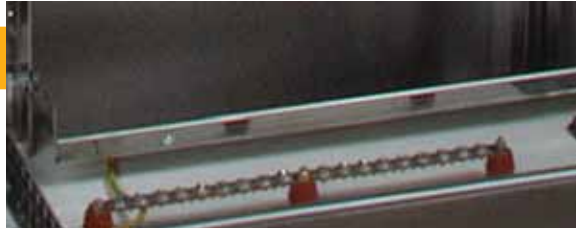


Enclosure Solutions



TELECOM OUTDOOR CABINETS

Grounding



All Unit ; Main Frame-Door-Cover-Divisions and other passive units grounded together.

This grounding lines stops at grounding busbars between divisions.



Battery Shelves

Shelf Modules are made from, 2,0mm Stainless Steel.

Shelves mounted to height adjustable 19" or 21" profiles. Profiles are also depth adjustable .



Door Opening Set

Pistons or mechanical stoppers can be use.



Measurement

Measurement can be make according to customer requirements. Please contact with sales department about dimensions.





Enclosure Solutions



TELECOM OUTDOOR CABINETS





CUSTOM DESIGN ENCLOSURE FOR MV SYSTEMS





Enclosure Solutions



TELECOM OUTDOOR CABINETS



Certificates and Standard of Applications

- ISO 9001:2008 Quality System Management
- TS EN 62 208
- TS EN 60 439-1
- GOST-R

- RoHS compatible accessories
- CE compatible accessories
- IEC 60 297-1 compatibility
- IEC 60 297-2 compatibility
- IEC 60 297-3 compatibility
- EN 60 529 compatibility
- EN 60 950 compatibility
- DIN VDE 0100 compatibility
- EN 50102 compatibility



www.eltepano.com



Notes
