

*elte pano*  
enclosure  
systems



## about us...

ELTE PANO is one of the leading and fast growing companies in its sector in Turkey with its machinery and technologic structure, qualified and skilled personnel and increasing production capacity.

ELTE PANO keeps moving ahead by following developments very closely in its sector in the world. ELTE PANO has vision to adopt these developments to its production to fulfill international standarts by renewing its machinery park.

Our vision and policy is to create "93on-time, quality, economical products and solutions"94 to our customers and gain trust or our customers with our promised service.

ELTE PANO produces, Low voltage switchgear enclosures, busbar and fiberoptical cabling cabinets, outdoor type cabinets for communication industry, electronic tool boxes, and other sheet metal fabrication products from stainless steel, alumimium, galvanised and mild steel.

ELTE PANO supportes these products with its service applications by engineering and designing according to international standarts and customer requirements. As our corporate policy, our vision is to focus thoroughly on customer satisfaction by succeeding our promises in a way which will create reliability, trust, value-added solutions.

[www.eltepano.com](http://www.eltepano.com)

+90 216 484 0 666

about us...

Our key values are "Passion, Respect, Team Work, Customer, Synergies, Profit and Achive future goals by enhancing value chain and improving the partnership between our customers and end users". The heart of our business is to choose, train, motivate and involve our co-workers who we strongly believe that they are the key to our steady development.

### OUR VALUES

Customers are the Priority

To Establish Trustful Partnership with our Customers

Close Contact with our Customers and Contuniously Enhance Service Quality

Keep on Learning and Sharing our Knowledge

Desire to Come-up with Innovative Solutions

Listen to our Customers, Clearly Identify the Needs, Organize Ourselves to Satisfy Them



MODÜLER MİNİ RACK KABİNLER (ÖN KAPI KOMPLE CAM)					
MODULAR MINI RACK CABINETS (FRONT DOOR COMPLETE TEMPERED GLASS)					
Sipariş Kodu Order Code	U Ölçüsü U Measurement (U= 44,45 mm)	Ölçüler (En,Boy,Derinlik mm) Dimensions (mm)			Net Ağırlık (kg) Net Weight (kg)
		W	H	D	
URK 3U4C	3 U	600	220	400	14
URK 6U4C	6 U	600	370	400	18
URK 9U4C	9 U	600	520	400	26
URK12U4C	12 U	600	670	400	30
URK15U4C	15 U	600	820	400	36
URK18U4C	18 U	600	970	400	40

URK 3U6C	3 U	600	220	600	19
URK 6U6C	6 U	600	370	600	23
URK 9U6C	9 U	600	520	600	27
URK 12U6C	12 U	600	670	600	31
URK 15U6C	15 U	600	820	600	35
URK 18U6C	18 U	600	970	600	39



URK DA



URK BD

19" MODÜLER MİNİ RACK KABİNLER  
19" MODULAR MINI RACK CABINETS

19" RACK KABİNLER  
19" RACK CABINETS

#### MODÜLER MİNİ RACK KABİN ÖZELLİKLERİ

- Modüler yapı (3U...18U)
- Ön kapi komple camı uygulamalı (4 mm temperli ışıme camı)
- 400 / 600 mm derinlikler, duvararmontaj ve tekerlekli seçenekler
- İsteğe uygun havalandırma (max. iki fan uygulaması)
- Kabin arkası menteşeli kilitli kapı seçeneği
- Max. 100 kg taşıma kapasitesi
- Standart renk RAL 7035

#### MODULAR MINI RACK CABINET SPECIFICATIONS

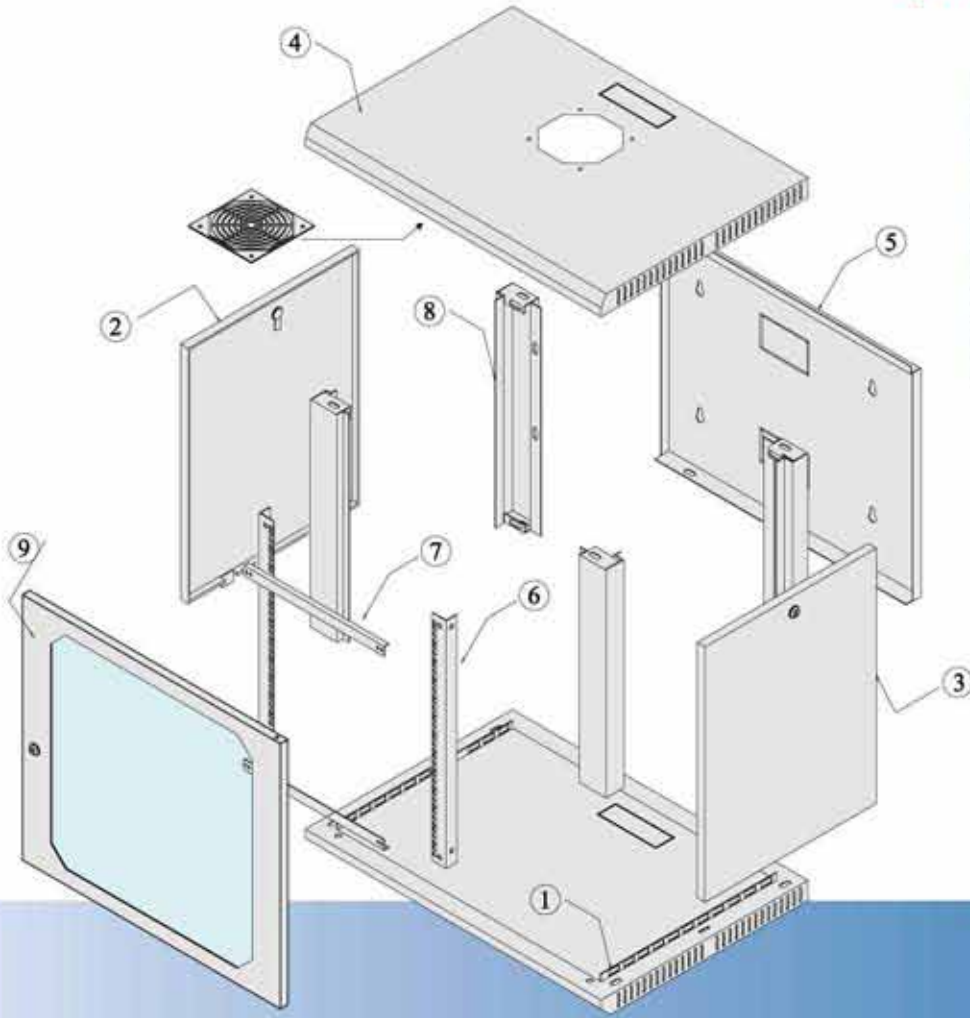
- Modular structure (3U...18U)
- Front door complete tempered 4 mm glass (C)
- 400/600 mm depth, fixed, movable and wall mounting application alternatives
- Appropriate ventilation unit (max 2 fans according to the request)
- Back door with rack is optional
- Max. 100 kg load capacity
- Standard colour RAL 7035

URK BD 6U4C	6 U	600	370	400	18
URK BD 9U4C	9 U	600	520	400	22
URK BD12U4C	12 U	600	670	400	26
URK BD15U4C	15 U	600	820	400	30
URK BD18U4C	18 U	600	970	400	34

URK BD 6U6C	6 U	600	370	600	23
URK BD 9U6C	9 U	600	520	600	27
URK BD 12U6C	12 U	600	670	600	31
URK BD 15U6C	15 U	600	820	600	35
URK BD 18U6C	18 U	600	970	600	39

URK DA 3U4C	3 U	600	220	400+100	17
URK DA 6U4C	6 U	600	370	400+100	21,5
URK DA 9U4C	9 U	600	520	400+100	30
URK DA 12U4C	12 U	600	670	400+100	34,5
URK DA 15U4C	15 U	600	820	400+100	40
URK DA 18U4C	18 U	600	970	400+100	45,5





- ① Taban / Base
- ② Sol Yan Gövde / Left Side Panel
- ③ Sağ Yan Gövde / Right Side Panel
- ④ Tavan / Top Cover
- ⑤ Arka Kapak / Rear Panel
- ⑥ Rack Dikmeleri / Rack Verticals
- ⑦ Gönye Elemanı / Horizontal Bar
- ⑧ Boy Dikmeleri / Verticals Struts
- ⑨ Sac Çerçevesi Cam Kapı (SC) / Front Glass Door with Steel Frame

19" MODÜLER MİNİ RACK KABİNELER  
19" MODULAR MİNİ RACK CABINETS

PRK 3-7-9-12-16-20-24U 4SC  
PRK 3-7-9-12-16-20-24U 6SC





Duvara monte edilebilen arka kapak  
Rear door can be mounted to the wall

19" MODÜLER MİNİ RACK KABİNLER  
19" MODULAR MİNİ RACK CABINETS

19" RACK KABİNLER  
19" RACK CABINETS

**MODÜLER MİNİ RACK KABİNLER (ÖN KAPI SAC ÇERÇEVEYE CAM)**  
**MODULAR MİNİ RACK CABINETS (FRONT DOOR TEMPERED GLASS WITH STEEL FRAME)**

Sipariş Kodu Order Code	U Ölçüsü U Measurement (U= 44,45 mm)	Ölçüler (En,Boy,Derinlik mm) Dimensions (mm)			Net Ağırlık (kg) Net Weight (kg)
		W	H	D	
PRK 3U4SC	3 U	600	205	450	13
PRK 7U4SC	7 U	600	385	450	17
PRK 9U4SC	9 U	600	475	450	21
PRK12U4SC	12 U	600	610	450	25
PRK16U4SC	16 U	600	790	450	29
PRK20U4SC	20 U	600	970	450	33
PRK24U4SC	24 U	600	1150	450	37
PRK 3U6SC	3 U	600	205	600	18
PRK 7U6SC	7 U	600	385	600	22
PRK 9U6SC	9 U	600	475	600	26
PRK12U6SC	12 U	600	610	600	30
PRK16U6SC	16 U	600	790	600	34
PRK20U6SC	20 U	600	970	600	38
PRK24U6SC	24 U	600	1150	600	42
PRK BD 7U4SC	7 U	600	385	450	17,5
PRK BD 9U4SC	9 U	600	475	450	21,5
PRK BD12U4SC	12 U	600	610	450	25,5
PRK BD16U4SC	16 U	600	790	450	29,5
PRK BD20U4SC	20 U	600	970	450	33,5
PRK BD24U4SC	24 U	600	1150	450	37,5

**MODÜLER MİNİ RACK KABİN ÖZELLİKLERİ**

- Modüler yapı (3U...24U)
- Ön kapa sac çerçevesi 4 mm temperli fünye cam (SC)
- 450/550/600 mm derinliklerde duvar montaj ve teserükle seçeneği
- İçteğe uygun havalandırma (max. iki fan uygulaması)
- Kabin topraklama
- Max. 100 kg taşıma kapasitesi
- Yan kapaklar açılabilir
- Standart renk RAL 7035
- BD ve DA modellerinin arka kapakları açılabilir

**MODULAR MİNİ RACK CABINET SPECIFICATIONS**

- Modular structure (3U...24U)
- Front door tempered 4 mm glass with steel frame (SC)
- 450/550/600 mm depth, fixed, movable and wall mounting applications alternatives
- Appropriate ventilation unit (max 2 fans) according to the request
- Cabinet Earthing
- Max. 100 kg load capacity
- Covers on sides can be opened
- Standard colour RAL 7035
- BD and DA models' back cover can be opened

PRK BD 7U6SC	7 U	600	385	600	22
PRK BD 9U6SC	9 U	600	475	600	26
PRK BD12U6SC	12 U	600	610	600	30
PRK BD16U6SC	16 U	600	790	600	34
PRK BD20U6SC	20 U	600	970	600	38
PRK BD24U6SC	24 U	600	1150	600	42
PRK DA 3U4SC	3 U	600	205	450+100	16
PRK DA 7U4SC	7 U	600	385	450+100	20,5
PRK DA 9U4SC	9 U	600	475	450+100	29
PRK DA12U4SC	12 U	600	610	450+100	33,5
PRK DA16U4SC	16 U	600	790	450+100	39
PRK DA20U4SC	20 U	600	970	450+100	44,5



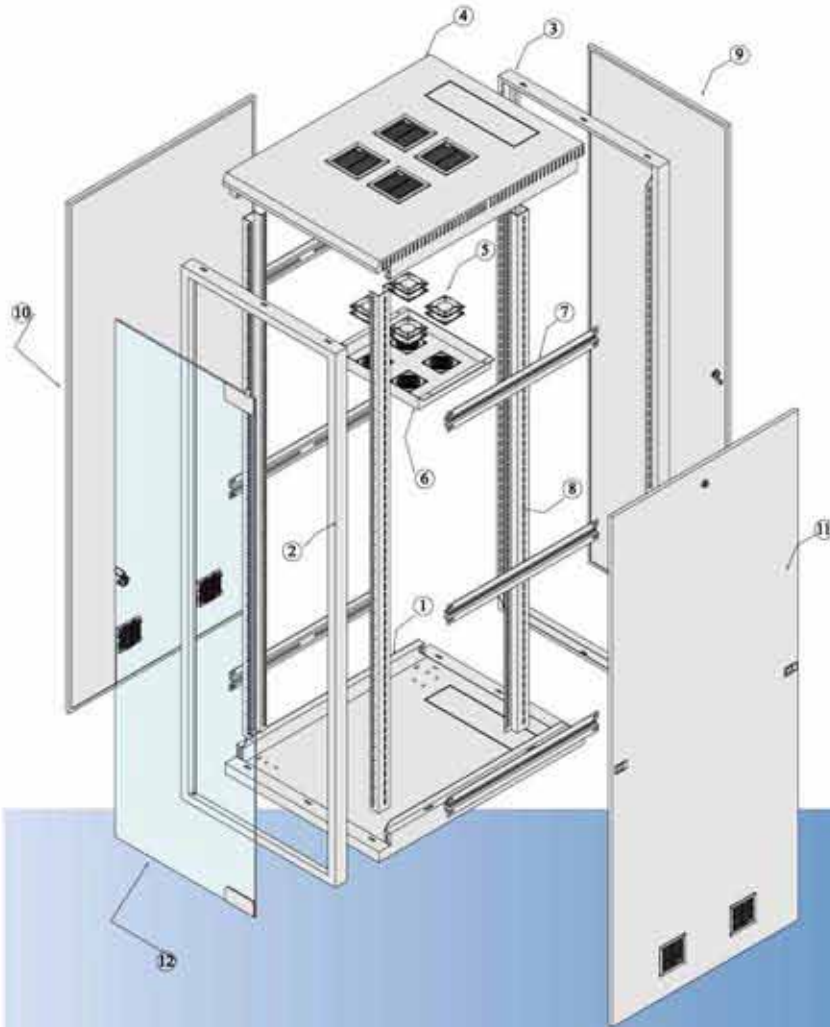
PRK DA



PRK BD



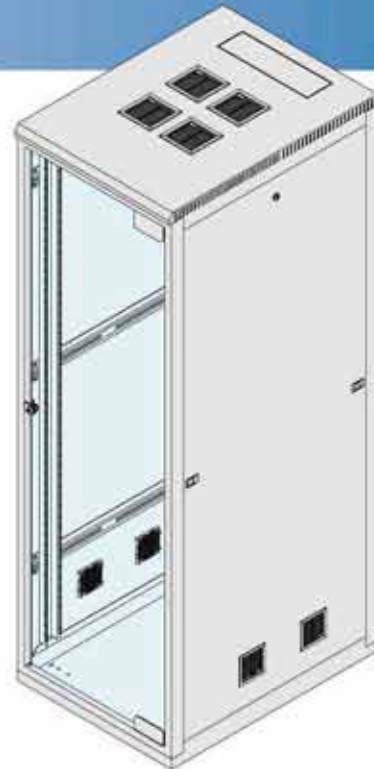
PRK



- 1 Taban / Base
- 2 Ön Çerçeve / Front Frame
- 3 Arka Çerçeve / Rear Frame
- 4 Tavan / Top Cover
- 5 Fan (isteğe bağlı) / Fans (Optional)
- 6 Havalandırma Ünitesi (isteğe bağlı) / Ventilation Tray (Optional)
- 7 Yan Taşıyıcı / Side Strut
- 8 Rack Dikmeleri / Rack Verticals
- 9 Arka Kapı / Rear Door
- 10 Sol Yan Kapak / Left Side Cover
- 11 Sağ Yan Kapak / Right Side Cover
- 12 Temperli Komple Cam Kapı (C) / Tempered Complete Glass Door (C)

19" MODÜLER EKONOMİK FRAME  
19" MODULAR ECONOMIC FRAME

EEFR	20-25-30-34-38-43U 6C
EEFR	20-25-30-34-38-43U 8C
EEFR	20-25-30-34-38-43U 10C
EEFRK	20-25-30-34-38-43U 8C
EEFRK	20-25-30-34-38-43U 10C



19" MODÜLER EKONOMİK FRAME  
19" MODULAR ECONOMIC FRAME



MODÜLER EKONOMİK FRAME SERİSİ (En: 600 mm)  
MODULAR ECONOMIC FRAME SERIES (W: 600 mm)

Sipariş Kodu Order Code	U Ölçüsü U Measurement (U= 44,45 mm)	Ürün Ölçüleri (En,Boy,Derinlik mm) Product Dimensions (W x H x D mm)			Net Ağırlık (kg) Net Weight (kg)
		W	H	D	
EEFR20U6C	20 U	600	1035	600	59
EEFR25U6C	25 U	600	1260	600	67
EEFR30U6C	30 U	600	1485	600	76
EEFR34U6C	34 U	600	1665	600	84
EEFR38U6C	38 U	600	1845	600	93
EEFR43U6C	43 U	600	2070	600	101
EEFR20U8C	20 U	600	1035	800	69
EEFR25U8C	25 U	600	1260	800	78
EEFR30U8C	30 U	600	1485	800	87
EEFR34U8C	34 U	600	1665	800	97
EEFR38U8C	38 U	600	1845	800	106
EEFR43U8C	43 U	600	2070	800	116
EEFR20U10C	20 U	600	1035	1000	79
EEFR25U10C	25 U	600	1260	1000	89
EEFR30U10C	30 U	600	1485	1000	99
EEFR34U10C	34 U	600	1665	1000	110
EEFR38U10C	38 U	600	1845	1000	119
EEFR43U10C	43 U	600	2070	1000	131

Not: 600 genişlikteki kabinler istenildiğinde SC(sac çerçeveli cam) yapılabilir.  
Note: Steel framed front door is applicable for w:600mm cabinets if requested.

19" RACK KABİNLER  
19" RACK CABINETS

KABİN ÖZELLİKLERİ

- Ön kapı: 6 mm komple temperli lüme cam (C)
- Sac çerçeveler üzerine modüler yapı
- Dört taraftan açılabilir
- 800x800 mm ile 800x1000 mm serilerde kabinin ön iki yanında dikey kablo organizatörleri eklenebilir
- Max. 400 kg taşıma kapasitesi
- Kabin topraklama
- Standart renk RAL 9005

CABINET SPECIFICATIONS

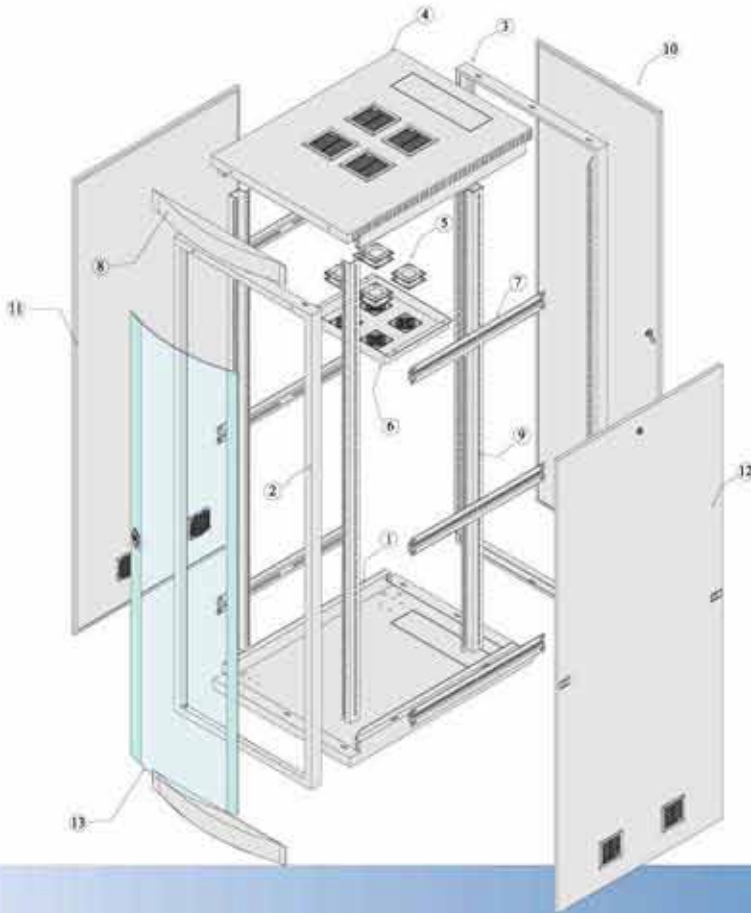
- 6 mm tempered front glass door (C)
- Modular structure based on steel frames
- All around access
- In sizes of 800x800 mm and 800x1000 mm, vertical cable organizer may be used
- Max. 400 kg load capacity
- Cabinet Earthing
- Standard colour RAL 9005

MODÜLER EKONOMİK FRAME SERİSİ (En: 600 mm)  
MODULAR ECONOMIC FRAME SERIES (W: 600 mm)

Sipariş Kodu Order Code	U Ölçüsü U Measurement (U= 44,45 mm)	Ürün Ölçüleri (En,Boy,Derinlik mm) Product Dimensions (W x H x D mm)			Net Ağırlık (kg) Net Weight (kg)
		W	H	D	
EEFRK20U8C	20 U	800	1035	800	80
EEFRK25U8C	25 U	800	1260	800	89
EEFRK30U8C	30 U	800	1485	800	100
EEFRK34U8C	34 U	800	1665	800	110
EEFRK38U8C	38 U	800	1845	800	121
EEFRK43U8C	43 U	800	2070	800	131
EEFRK20U10C	20 U	800	1035	1000	90
EEFRK25U10C	25 U	800	1260	1000	100
EEFRK30U10C	30 U	800	1485	1000	112
EEFRK34U10C	34 U	800	1665	1000	123
EEFRK38U10C	38 U	800	1845	1000	135
EEFRK43U10C	43 U	800	2070	1000	146

Not: 800 genişlikteki kabinler istenildiğinde çift kapılı yapılabilir.  
Note: Front door with two sides is optional for w:800mm cabinets.





- 1 Taban / Base
- 2 Ön Çerçeve / Front Frame
- 3 Arka Çerçeve / Rear Frame
- 4 Tavan / Top Cover
- 5 Fan (isteğe bağlı) / Fans (Optional)
- 6 Havalandırma Ünitesi (isteğe bağlı) / Ventilation Tray (Optional)
- 7 Yan Taşıyıcı / Side Strut
- 8 Tozluk / Round Fringe
- 9 Rack Dikmeleri / Rack Verticals
- 10 Arka Kapı / Rear Door
- 11 Sol Yan Kapak / Left Side Cover
- 12 Sağ Yan Kapak / Right Side Cover
- 13 Temperli Bombe Cam Kapi (BC) / Curved Tempered Glass Door (BC)



19" MODÜLER MİLENNIUM FRAME  
19" MODULAR MILLENNIUM FRAME

EMFR 20-25-30-34-38-43U 6C  
EMFR 20-25-30-34-38-43U 8C  
EMFR 20-25-30-34-38-43U 10C  
EMFRK 20-25-30-34-38-43U 8C  
EMFRK 20-25-30-34-38-43U 10C





19" MODÜLER MİLENNIUM FRAME  
19" MODULAR MILLENNIUM FRAME



19" RACK KABİNLER  
19" RACK CABINETS

#### KABİN ÖZELLİKLERİ

- Estetik görünümlü
- Ön kapı 6 mm kalınlığında temperli cam (C)
- Sac çerçeveler üzerine modüler yapı
- Dört tarafta açılabilir
- Max. 400 kg taşıma kapasitesi
- Kabin topraklama
- Standart renk RAL 9005

#### CABINET SPECIFICATIONS

- Aesthetic appearance
- 6 mm tempered front glass door (C)
- Modular structure based on steel frames
- Removable four sides
- Max. 400 kg load capacity
- Cabinet Earthing
- Standard colour RAL 9005

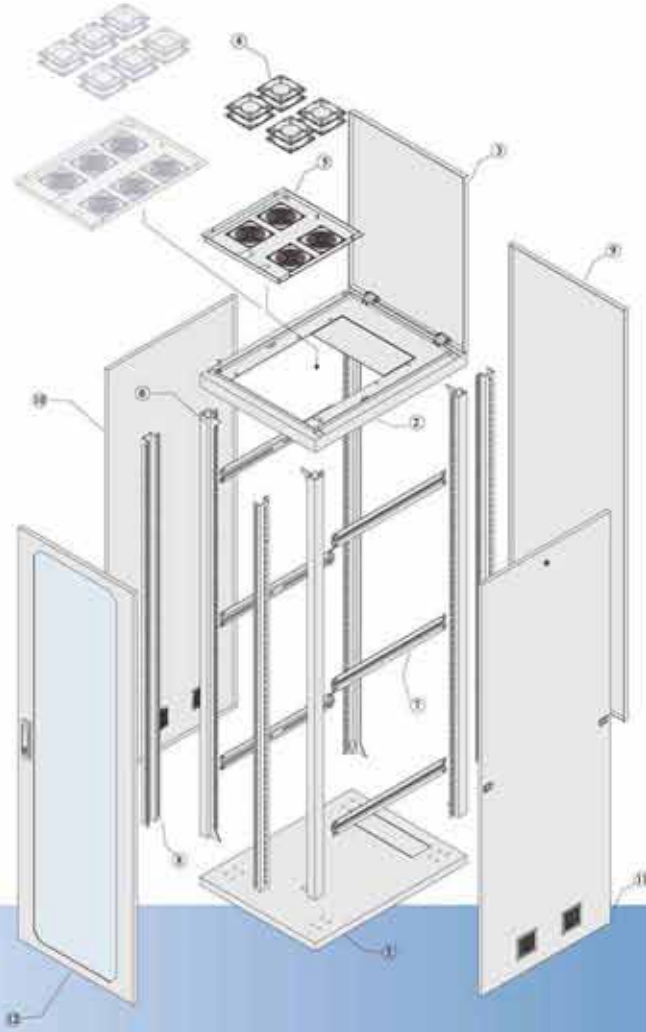


#### MODÜLER MİLENNIUM FRAME (En: 600 mm) MODULAR MILLENNIUM FRAME (W: 600 mm)

Sipariş Kodu Order Code	U Ölçüsü U Measurement (U= 44,45 mm)	Ürün Ölçüleri (En,Boy,Derinlik mm) Product Dimensions (W x H x D mm)			Net Ağırlık (kg) Net Weight (kg)
		W	H	D	
EMFR20U6BC	20 U	600	1035	600	61
EMFR25U6BC	25 U	600	1260	600	69
EMFR30U6BC	30 U	600	1485	600	78
EMFR34U6BC	34 U	600	1665	600	86
EMFR38U6BC	38 U	600	1845	600	95
EMFR43U6BC	43 U	600	2070	600	103
EMFR20U8BC	20 U	600	1035	800	71
EMFR25U8BC	25 U	600	1260	800	80
EMFR30U8BC	30 U	600	1485	800	89
EMFR34U8BC	34 U	600	1665	800	99
EMFR38U8BC	38 U	600	1845	800	108
EMFR43U8BC	43 U	600	2070	800	118
EMFR20U10BC	20 U	600	1035	1000	81
EMFR25U10BC	25 U	600	1260	1000	91
EMFR30U10BC	30 U	600	1485	1000	101
EMFR34U10BC	34 U	600	1665	1000	112
EMFR38U10BC	38 U	600	1845	1000	121
EMFR43U10BC	43 U	600	2070	1000	133

#### MODÜLER MİLENNIUM FRAME (En: 800 mm) MODULAR MILLENNIUM FRAME (W: 800 mm)

Sipariş Kodu Order Code	U Ölçüsü U Measurement (U= 44,45 mm)	Ürün Ölçüleri (En,Boy,Derinlik mm) Product Dimensions (W x H x D mm)			Net Ağırlık (kg) Net Weight (kg)
		W	H	D	
EMFRK20U8BC	20 U	800	1035	800	82
EMFRK25U8BC	25 U	800	1260	800	91
EMFRK30U8BC	30 U	800	1485	800	102
EMFRK34U8BC	34 U	800	1665	800	112
EMFRK38U8BC	38 U	800	1845	800	123
EMFRK43U8BC	43 U	800	2070	800	133
EMFRK20U10BC	20 U	800	1035	1000	92
EMFRK25U10BC	25 U	800	1260	1000	102
EMFRK30U10BC	30 U	800	1485	1000	114
EMFRK34U10BC	34 U	800	1665	1000	125
EMFRK38U10BC	38 U	800	1845	1000	137
EMFRK43U10BC	43 U	800	2070	1000	148



- 1 Taban / Base
- 2 Tavan / Top Unit
- 3 Üst Sapka / Top Hat
- 4 Fan (isteğe bağlı) / Fans (Optional)
- 5 Havalandırma Ünitesi (isteğe bağlı) / Ventilation Tray (Optional)
- 6 Boy Dikmeleri / Verticals Struts
- 7 Yan Atkı / Side Struts
- 8 Rack Dikmeleri / Rack Verticals
- 9 Arka Kapı / Rear Door
- 10 Sol Yan Kapak / Left Side Cover
- 11 Sağ Yan Kapak / Right Side Cover
- 12 Sac Çerçevesi Cam Kapı (SC) / Front Glass Door with Steel Frame (SC)

19" SÜPER FRAME RACK KABİNELER  
19" SUPER FRAME RACK CABINETS

ESFR 20-25-30-34-38-43U 6SC  
 ESFR 20-25-30-34-38-43U 8SC  
 ESFR 20-25-30-34-38-43U 10SC  
 ESFRK 20-25-30-34-38-43U 8SC  
 ESFRK 20-25-30-34-38-43U 10SC





**ÖN KAPI SAC ÇERÇEVEYE CAM KABINLER (En: 600 mm)**  
FRONT GLASS DOOR with STEEL FRAME CABINETS (W: 600 mm)

Sipariş Kodu Order Code	U Ölçüsü U Measurement (U= 44,45 mm)	Ürün Ölçüleri (En,Boy,Derinlik mm) Product Dimensions (W x H x D mm)			Net Ağırlık (kg) Net Weight (kg)
		W	H	D	
ESFR20U6SC	20 U	600	1085	600	66
ESFR25U6SC	25 U	600	1310	600	72
ESFR30U6SC	30 U	600	1535	600	80
ESFR34U6SC	34 U	600	1715	600	88
ESFR38U6SC	38 U	600	1885	600	96
ESFR43U6SC	43 U	600	2120	600	104
ESFR20U8SC	20 U	600	1085	800	76
ESFR25U8SC	25 U	600	1310	800	84
ESFR30U8SC	30 U	600	1535	800	92
ESFR34U8SC	34 U	600	1715	800	100
ESFR38U8SC	38 U	600	1885	800	108
ESFR43U8SC	43 U	600	2120	800	118
ESFR20U10SC	20 U	600	1085	1000	86
ESFR25U10SC	25 U	600	1310	1000	96
ESFR30U10SC	30 U	600	1535	1000	104
ESFR34U10SC	34 U	600	1715	1000	112
ESFR38U10SC	38 U	600	1885	1000	120
ESFR43U10SC	43 U	600	2120	1000	130

**KABİN ÖZELLİKLERİ**

- Ön kapı sac çerçevesi 4 mm temperli flame cam (SC)
- Kabin üstünden ulaşılabilen havalandırma ünitesi
- 800x800 mm ile 900x1000 mm serilerde kabinin ön iki yanında dikey kablo organize edilebilir
- Max. 400 kg taşıma kapasitesi
- Kabin topraklama
- Standart renk RAL 9005

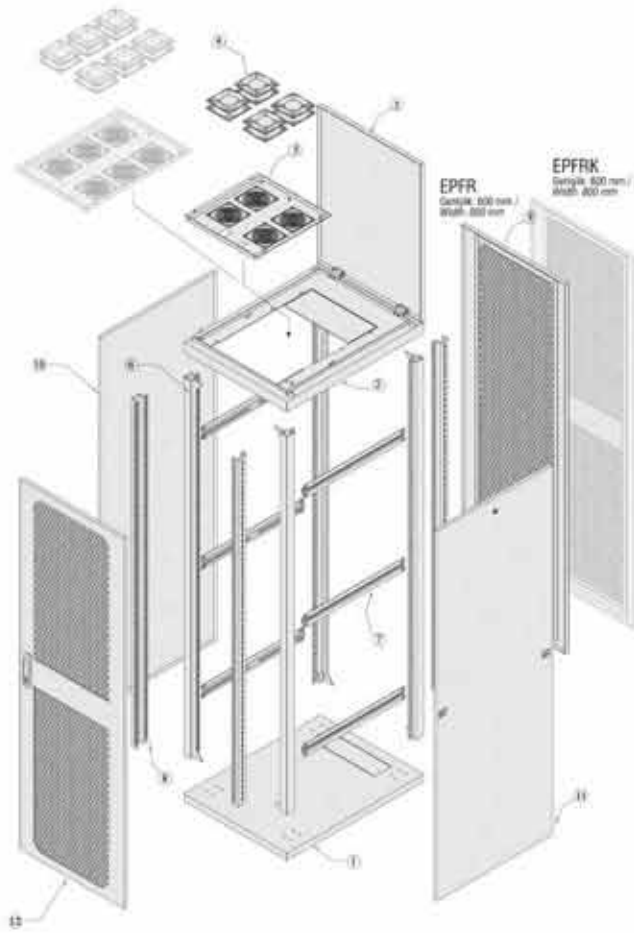
**CABINET SPECIFICATIONS**

- Front door 4mm tempered glass with steel frame (SC)
- Ventilation units are designed to be mounted flip out of the cabinet
- In sizes of 800x800 mm and 900x1000 mm, vertical cable organizer may be used
- Max. 400 kg load capacity
- Cabinet Earthing
- Standard colour RAL 9005



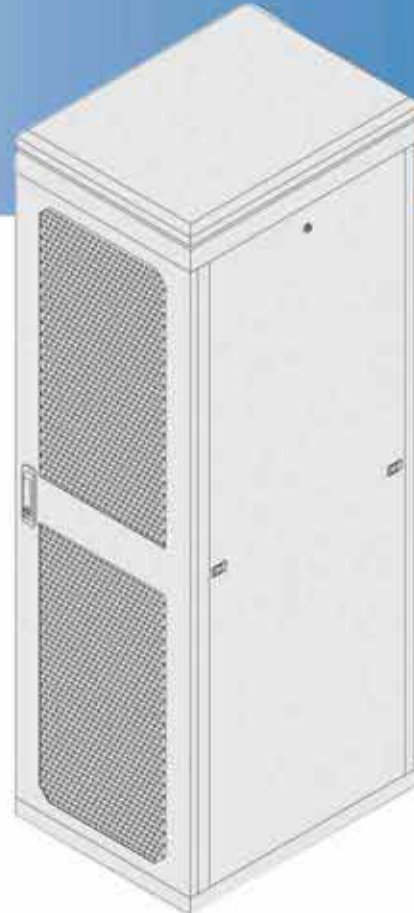
**ÖN KAPI SAC ÇERÇEVEYE CAM KABINLER(En: 800 mm)**  
FRONT GLASS DOOR with STEEL FRAME CABINETS (W: 800 mm)

Sipariş Kodu Order Code	U Ölçüsü U Measurement (U= 44,45 mm)	Ürün Ölçüleri (En,Boy,Derinlik mm) Product Dimensions (W x H x D mm)			Net Ağırlık (kg) Net Weight (kg)
		W	H	D	
ESFRK20U8SC	20 U	800	1085	800	106
ESFRK25U8SC	25 U	800	1310	800	118
ESFRK30U8SC	30 U	800	1535	800	125
ESFRK34U8SC	34 U	800	1715	800	141
ESFRK38U8SC	38 U	800	1885	800	154
ESFRK43U8SC	43 U	800	2120	800	166
ESFRK20U10SC	20 U	800	1085	1000	129
ESFRK25U10SC	25 U	800	1310	1000	138
ESFRK30U10SC	30 U	800	1535	1000	150
ESFRK34U10SC	34 U	800	1715	1000	162
ESFRK38U10SC	38 U	800	1885	1000	180
ESFRK43U10SC	43 U	800	2120	1000	199



- 1 Taban / Base
- 2 Tavan / Top Unit
- 3 Üst Sapka / Top Hat
- 4 Fan (isteğe bağlı) / Fans (Optional)
- 5 Havalandırma Ünitesi (isteğe bağlı) / Ventilation Tray (Optional)
- 6 Boy Dikmeleri / Verticals Struts
- 7 Yan Atkı / Side Struts
- 8 Rack Dikmeleri / Rack Verticals
- 9 Perforeli Arka Kapı / Perforated Rear Door
- 10 Sol Yan Kapak / Left Side Cover
- 11 Sağ Yan Kapak / Right Side Cover
- 12 Perforeli Kapı (ST) / Perforated Door (ST)

19" SÜPER FRAME SERVER KABINLER  
19" SUPER FRAMES SERVER CABINETS



EPFR 20-25-30-34-38-43U 6ST  
 EPFR 20-25-30-34-38-43U 8ST  
 EPFR 20-25-30-34-38-43U 10ST  
 EPFRK 20-25-30-34-38-43U 8ST  
 EPFRK 20-25-30-34-38-43U 10ST


**PERFORE EDİLMİŞ SAC KAPILI KABİNLER (En: 600 mm)**  
**SERVER CABINETS WITH PERFORATED DOORS (W: 600 mm)**

Sipariş Kodu Order Code	U Ölçüsü U Measurement (U= 44,45 mm)	Ürün Ölçüleri (En,Boy,Derinlik mm) Product Dimensions (W x H x D mm)			Net Ağırlık (kg) Net Weight (kg)
		W	H	D	
EPFR20U6ST	20 U	600	1085	600	66
EPFR25U6ST	25 U	600	1310	600	72
EPFR30U6ST	30 U	600	1535	600	80
EPFR34U6ST	34 U	600	1715	600	88
EPFR38U6ST	38 U	600	1885	600	96
EPFR43U6ST	43 U	600	2120	600	106
EPFR20U8ST	20 U	600	1085	800	76
EPFR25U8ST	25 U	600	1310	800	84
EPFR30U8ST	30 U	600	1535	800	92
EPFR34U8ST	34 U	600	1715	800	100
EPFR38U8ST	38 U	600	1885	800	108
EPFR43U8ST	43 U	600	2120	800	118
EPFR20U10ST	20 U	600	1085	1000	87
EPFR25U10ST	25 U	600	1310	1000	96
EPFR30U10ST	30 U	600	1535	1000	104
EPFR34U10ST	34 U	600	1715	1000	112
EPFR38U10ST	38 U	600	1885	1000	120
EPFR43U10ST	43 U	600	2120	1000	130

**KABİN ÖZELLİKLERİ**

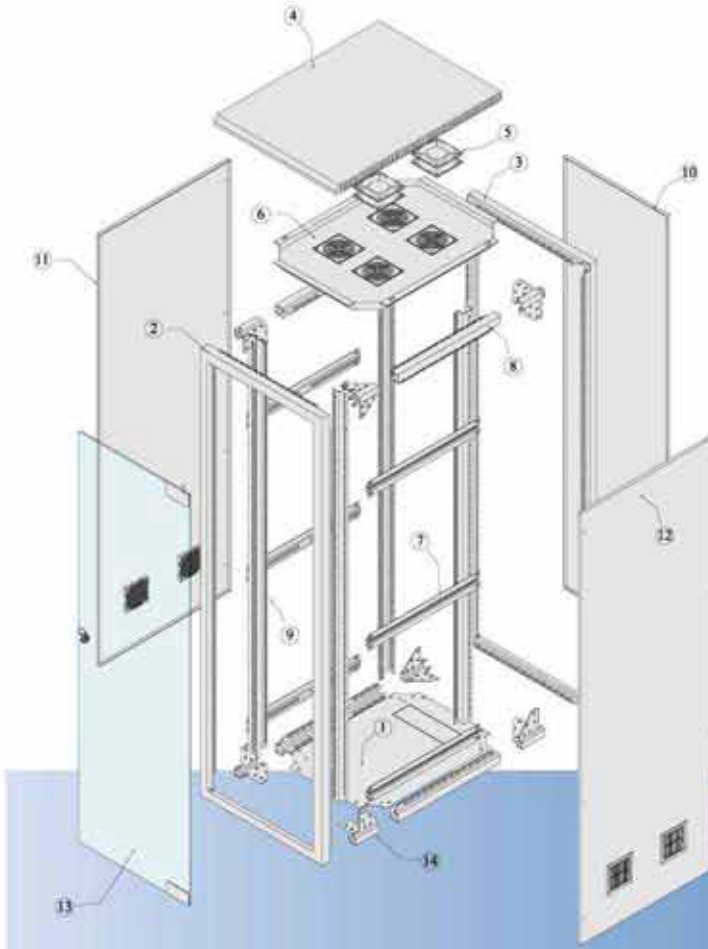
- Perfore edilmiş sac kapılar
- Kabin üstünden ulaşılabilen havalandırma ünitesi
- 800X800 mm ile 800x1000 mm serilerde kabinin ön iki yanında dikey kablo organizatörüne eklenir
- Max. 400 kg taşıma kapasitesi
- Kabin topraklama
- Standart renk RAL 9005

**CABINET SPECIFICATIONS**

- Perforated front and rear door
- Ventilation units are designed to be mounted thru out of the cabinet
- In sizes of 800x800 mm and 800x1000 mm, vertical cable organizer may be used
- Max. 400 kg load capacity
- Cabinet Earthing
- Standard colour RAL 9005


**PERFORE EDİLMİŞ SAC KAPILI KABİNLER (En: 800 mm)**  
**SERVER CABINETS WITH PERFORATED DOORS (W: 800 mm)**

Sipariş Kodu Order Code	U Ölçüsü U Measurement (U= 44,45 mm)	Ürün Ölçüleri (En,Boy,Derinlik mm) Product Dimensions (W x H x D mm)			Net Ağırlık (kg) Net Weight (kg)
		W	H	D	
EPFRK20U8ST	20 U	800	1085	800	106
EPFRK25U8ST	25 U	800	1310	800	118
EPFRK30U8ST	30 U	800	1535	800	125
EPFRK34U8ST	34 U	800	1715	800	141
EPFRK38U8ST	38 U	800	1885	800	154
EPFRK43U8ST	43 U	800	2120	800	166
EPFRK20U10ST	20 U	800	1085	1000	129
EPFRK25U10ST	25 U	800	1310	1000	138
EPFRK30U10ST	30 U	800	1535	1000	150
EPFRK34U10ST	34 U	800	1715	1000	162
EPFRK38U10ST	38 U	800	1885	1000	180
EPFRK43U10ST	43 U	800	2120	1000	199



- 1 Taban / Base
- 2 Ön Çerçeve / Front Frame
- 3 Arka Çerçeve / Rear Frame
- 4 Tavan / Top Cover
- 5 Fan (isteğe bağlı) / Fans (Optional)
- 6 Havalandırma Ünitesi (isteğe bağlı) / Ventilation Tray (Optional)
- 7 Yan Taşıyıcı / Side Strut
- 8 Derinlik Dikmesi / Depth Struts
- 9 Rack Dikmeleri / Rack Verticals
- 10 Arka Kapı / Rear Door
- 11 Sol Yan Kapak / Left Side Cover
- 12 Sağ Yan Kapak / Right Side Cover
- 13 Temperli Komple Cam Kapı (C) / Tempered Complete Glass Door (C)
- 14 Köşe Birleştirme Parçası / Corner connector

19" STANDART DİKİLİ TİP KABİNELER  
19" STANDARD FLOOR TYPE CABINETS

EDT	20-25-30-34-38-43U 6C
EDT	20-25-30-34-38-43U 8C
EDT	20-25-30-34-38-43U 10C
EDTK	20-25-30-34-38-43U 8C
EDTK	20-25-30-34-38-43U 10C





19" STANDART DİKİLİ TIP KABİNLER  
19" STANDARD FLOOR TYPE CABINETS

19" RACK KABİNLER  
19" RACK CABINETS

#### KABİN ÖZELLİKLERİ

- Ön kapı 6 mm komple temperli fümâ cam (C) veya sac çerçeveli 4 mm temperli fümâ cam (SC)
- Sac çerçeveler üzerine modüler yapı
- 800x800 mm ile 800x1000 mm serilerde kabinin ön iki yanında dikey kablo organizeri eklenabilir
- Max. 400 kg taşıma kapasitesi
- Kabin topraklama
- Standart renk RAL 9005

#### CABINET SPECIFICATIONS

- 6 mm tempered front glass door (C) or 4mm tempered glass door with steel frame (SC)
- Modular structure based on steel frames
- In sizes of 800x800 mm and 800x1000 mm, vertical cable organizer may be used
- Max. 400 kg load capacity
- Cabinet Earthing
- Standard colour RAL 9005



#### ÖN KAPI KOMPLE CAM KABİNLER (En: 800 mm) FRONT DOOR COMPLETE GLASS CABINETS (W: 800 mm)

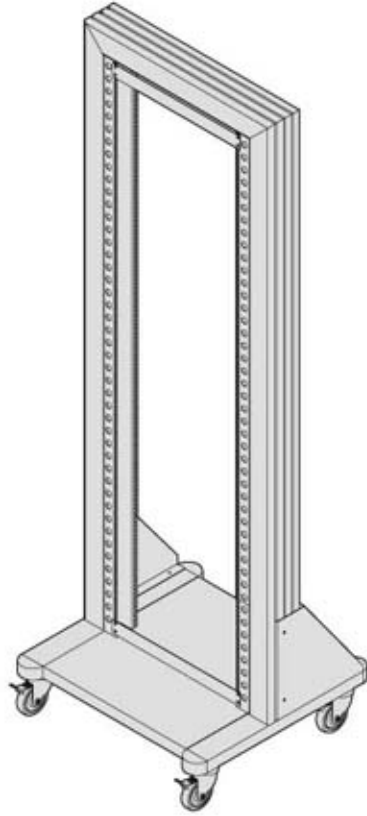
Sipariş Kodu Order Code	U Ölçüsü U Measurement (U= 44,45 mm)	Ürün Ölçüleri (En,Boy,Derinlik mm) Product Dimensions (W x H x D mm)			Net Ağırlık (kg) Net Weight (kg)
		W	H	D	
EDTK20U8C	20 U	800	1100	800	112
EDTK25U8C	25 U	800	1300	800	124
EDTK30U8C	30 U	800	1500	800	132
EDTK34U8C	34 U	800	1700	800	148
EDTK38U8C	38 U	800	1900	800	162
EDTK43U8C	43 U	800	2100	800	175
EDTK20U10C	20 U	800	1100	1000	126
EDTK25U10C	25 U	800	1300	1000	139
EDTK30U10C	30 U	800	1500	1000	147
EDTK34U10C	34 U	800	1700	1000	165
EDTK38U10C	38 U	800	1900	1000	182
EDTK43U10C	43 U	800	2100	1000	200

Not: 800 genişlikteki kabinler istenildiğinde çift kapılı yapılabilir.  
Note: Front door with two sides is optional for w:800mm cabinets.

#### ÖN KAPI KOMPLE CAM KABİNLER (En: 600 mm) FRONT DOOR COMPLETE GLASS CABINETS (W: 600 mm)

Sipariş Kodu Order Code	U Ölçüsü U Measurement (U= 44,45 mm)	Ürün Ölçüleri (En,Boy,Derinlik mm) Product Dimensions (W x H x D mm)			Net Ağırlık (kg) Net Weight (kg)
		W	H	D	
EDT20U6C	20 U	600	1100	600	73
EDT25U6C	25 U	600	1300	600	82
EDT30U6C	30 U	600	1500	600	90
EDT34U6C	34 U	600	1700	600	98
EDT38U6C	38 U	600	1900	600	106
EDT43U6C	43 U	600	2100	600	115
EDT20U8C	20 U	600	1100	800	88
EDT25U8C	25 U	600	1300	800	97
EDT30U8C	30 U	600	1500	800	105
EDT34U8C	34 U	600	1700	800	116
EDT38U8C	38 U	600	1900	800	127
EDT43U8C	43 U	600	2100	800	136
EDT20U10C	20 U	600	1100	1000	103
EDT25U10C	25 U	600	1300	1000	112
EDT30U10C	30 U	600	1500	1000	120
EDT34U10C	34 U	600	1700	1000	134
EDT38U10C	38 U	600	1900	1000	148
EDT43U10C	43 U	600	2100	1000	157

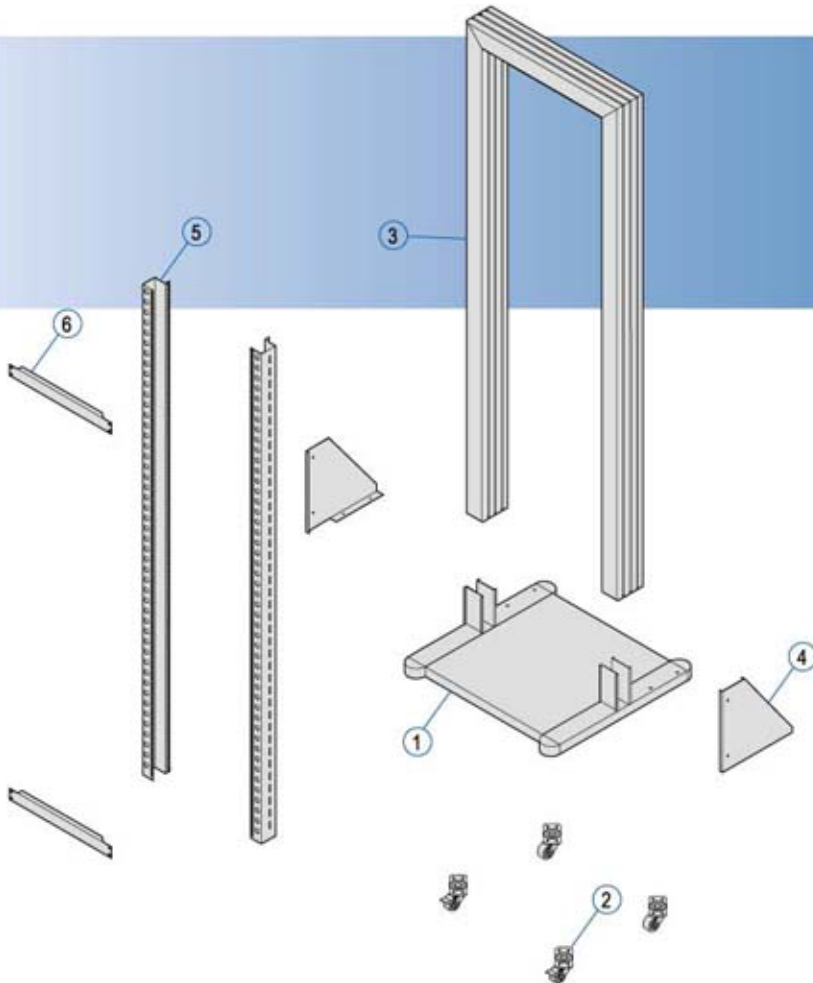
Not: 600 genişlikteki kabinler istenildiğinde SC(sac çerçeveli cam) yapılabilir.  
Note: Steel framed front door is applicable for w:600mm cabinets if requested.



ELB 20-25-30-34-38-43U 20  
ELB 20-25-30-34-38-43U 40

Not: Sayfa 21de görülen priz ve diğer aksesuarlar ekstra olup talebe göre ayrıca sipariş verilmelidirler.  
Note: Sockets and other accessories, shown in photos on page 21 are optional.

19" AÇIK RACK PANELLERİ  
19" OPEN RACK PANELS



- 1 Alt Kaide / Base Plint
- 2 Tekerlekler (dahil) / Castors (included)
- 3 H Profil Alüminyum / Aluminium H Profile
- 4 H Destek / Support Bracket
- 5 Rack Dikmeleri / Rack Verticals
- 6 1 U Kör Panel / 1 U Patch Panel





ELB20

#### 2 KOLONLU AÇIK RACK PANELLERİ OPEN RACK PANELS with 2 COLOUMNS

Sipariş Kodu Order Code	U Ölçüsü U Measurement (U= 44,45 mm)	Ürün Ölçüleri (En,Boy,Derinlik mm) Product Dimensions (W x H x D mm)			Net Ağırlık (kg) Net Weight (kg)
		W	H	D	
ELB20U20	20 U	720	1083	600	22
ELB25U20	25 U	720	1306	600	23
ELB30U20	30 U	720	1530	600	25
ELB34U20	34 U	720	1706	600	27
ELB38U20	38 U	720	1884	600	28
ELB43U20	43 U	720	2106	600	32

#### AÇIK RACK ÖZELLİKLERİ

- Açık ortam uygulamaları
- Maksimum kablolama verimliliği
- Opsiyonel, sabit veya hareketli özellikli
- 400/600 derinliklerde telekomünikasyon ara kablolama ünitelerine uygunluk.
- Max. 200 kg taşıma kapasitesi

#### OPEN RACK SPECIFICATIONS

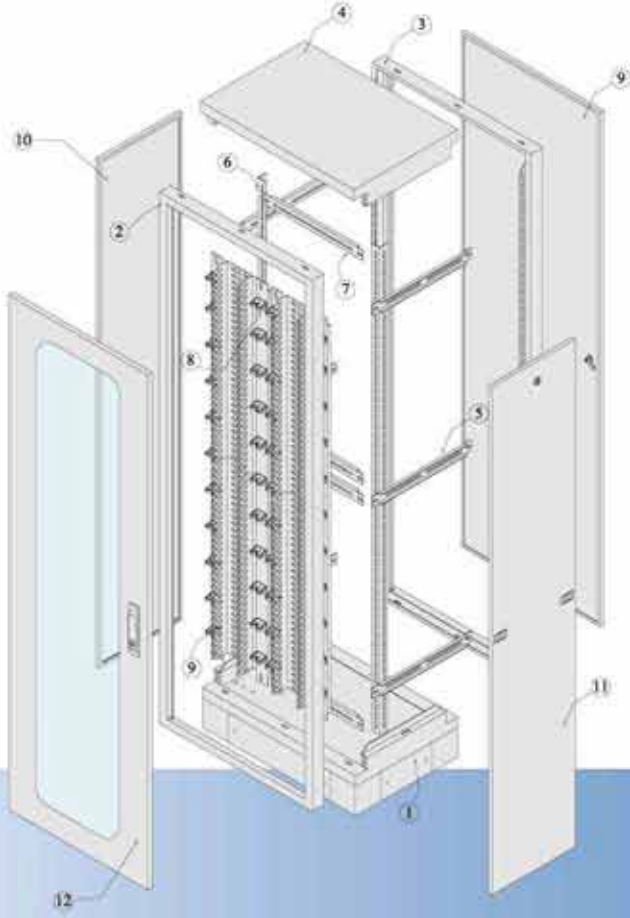
- Open network solutions and applications
- Max. cabling volume
- Optional, fixed or movable ability
- 400/600 Depth Telecommunication IDF units structured cabling available
- Max. 200 kg load capacity

ELB40



#### 4 KOLONLU AÇIK RACK PANELLERİ OPEN RACK PANELS with 4 COLOUMNS

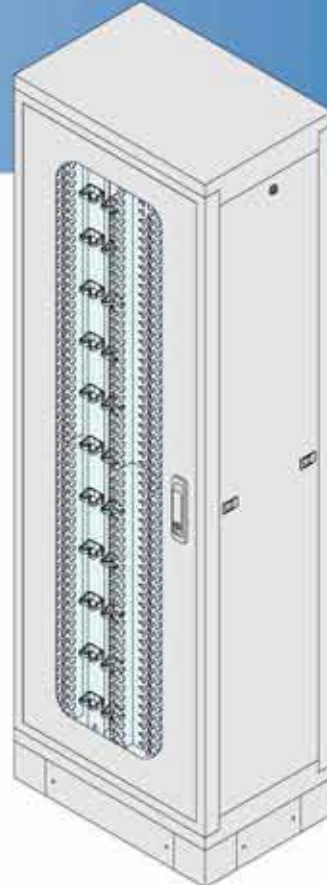
Sipariş Kodu Order Code	U Ölçüsü U Measurement (U= 44,45 mm)	Ürün Ölçüleri (En,Boy,Derinlik mm) Product Dimensions (W x H x D mm)			Net Ağırlık (kg) Net Weight (kg)
		W	H	D	
ELB20U40	20 U	720	1083	600	30
ELB25U40	25 U	720	1306	600	32
ELB30U40	30 U	720	1530	600	34
ELB34U40	34 U	720	1706	600	36
ELB38U40	38 U	720	1884	600	38
ELB43U40	43 U	720	2106	600	40



- 1 Taban / Base
- 2 Ön Çerçeve / Front Frame
- 3 Arka Çerçeve / Back Frame
- 4 Tavan / Top Cover
- 5 Yan Atkı / Side Struts
- 6 Boy Dikmesi / Verticals Strut
- 7 Yatay Taşıyıcı / Horizontal Strut
- 8 Kablo Düzenleyici / Organizer
- 9 Reglet Çatısı / Connector Plate
- 10 Sol Yan Kapı / Left Side Door
- 11 Sağ Yan Kapı / Right Side Door
- 12 Sac Çerçevesiz Cam Kapı (SC) / Front Glass Door with Steel Frame (SC)

MDF KABINLER  
MAIN DISTRIBUTION FRAME CABINETS

MDF 20-38U 4SC

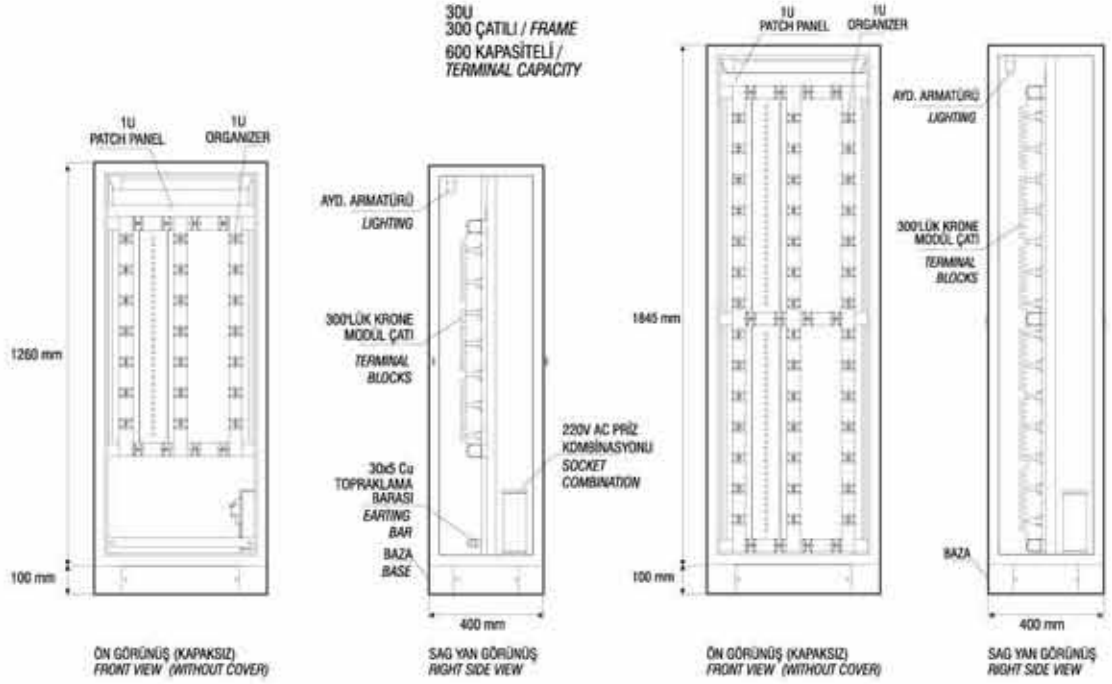




enclosure  
systems

MDF KABİNLER  
MAIN DISTRIBUTION FRAME CABINETS

19" RACK KABİNLER  
19" RACK CABINETS

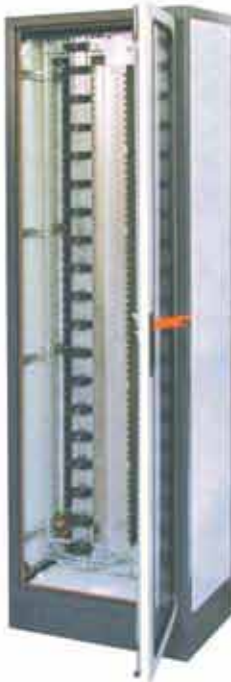


KABİN ÖZELLİKLERİ

- Ön kapı sac çerçevesi 4 mm temperli tüme cam (SC)
- Sac çerçeveler üzerine modüler yapı
- Max. 400 kg taşıma kapasitesi
- Kabİnlerin gövde ve kapaklarında topraklama
- Standart renk RAL 9005

CABINET SPECIFICATIONS

- Front door 4mm tempered glass with steel frame (SC)
- Modular structured based on steel frames
- Max. 400 kg load capacity
- Cabinet Earthing
- Standard colour RAL 9005



MDF KABİN

MDF CABINETS

Sipariş Kodu Order Code	U Ölçüsü U Measurement (U= 44,45 mm)	Ürün Ölçüleri (En,Boy,Derinlik mm) Product Dimensions (W x H x D mm)			Net Ağırlık (kg) Net Weight (kg)
		W	H	D	
EMDF25U4SC	25 U	600	1360	400	74
EMDF38U4SC	38 U	600	1945	400	100

Not: Farklı Ölçülerde ve çift taraflı uygulamalar için firmamızı arayınız/  
Note: You can contact us for different dimensional and double-sided solutions

**19" HAREKETLİ ÇERÇEVE**  
19" SWING FRAME

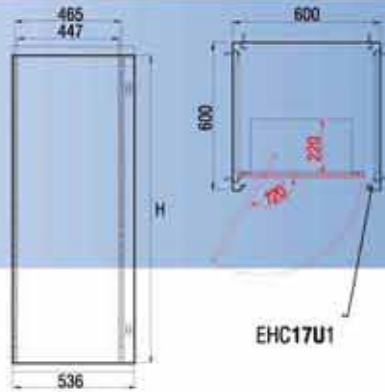
Sipariş Kodu Order Code	U Ölçüsü U Measurement (U= 44,45 mm)	Ürün Ölçüleri (En,Boy mm) Product Dimensions (W x H mm)		Net Ağırlık (kg) Net Weight (kg)
		W	H	
EHC17U1	17 U	600	1000	7
EHC22U1	22 U	600	1200	8
EHC27U1	27 U	600	1400	9
EHC31U1	31 U	600	1600	10
EHC35U1	35 U	600	1800	11
EHC40U1	40 U	600	2000	12,5

**19" HAREKETLİ ÇERÇEVE**  
19" SWING FRAME

Sipariş Kodu Order Code	U Ölçüsü U Measurement (U= 44,45 mm)	Ürün Ölçüleri (En,Boy mm) Product Dimensions (W x H mm)		Net Ağırlık (kg) Net Weight (kg)
		W	H	
EHC17U2	17 U	800	1000	10,5
EHC22U2	22 U	800	1200	12
EHC27U2	27 U	800	1400	14
EHC31U2	31 U	800	1600	15,5
EHC35U2	35 U	800	1800	17
EHC40U2	40 U	800	2000	19
EHC17U3	17 U	800	1000	10,5
EHC22U3	22 U	800	1200	12
EHC27U3	27 U	800	1400	14
EHC31U3	31 U	800	1600	15,5
EHC35U3	35 U	800	1800	17
EHC40U3	40 U	800	2000	19



19" HAREKETLİ ÇERÇEVE  
19" SWING FRAME



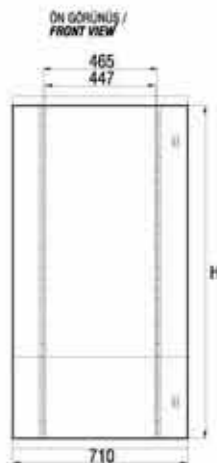
EHC17U1

**ÇERÇEVE ÖZELLİKLERİ**

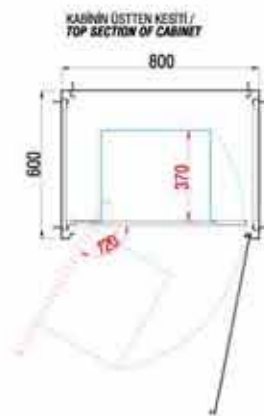
- Dışa doğru açılabilirliği maksimum 120° dir
- Çerçeveler komple 2 mm sacdan imal edilmektedir
- Tüm dikli tip kabinlerimize standart olarak monte edilebilir

**FRAME SPECIFICATIONS**

- Opening angle to outside is max. 120°
- All models are made out of 2 mm steel
- Ability to be used on all our floor type cabinets



EHC17U2

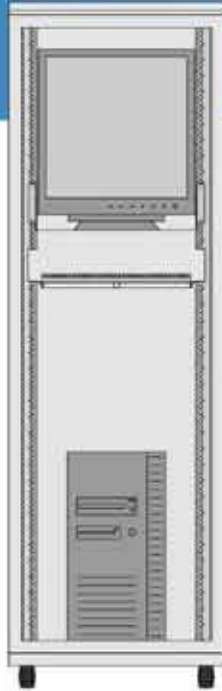


EHC17U3



19" RACK KABINLER  
19" RACK CABINETS

19" PC KABINLER VE DONANIMLARI  
19" PC CABINETS & ACCESSORIES



**PC KABİN (En: 600 mm)**  
**PC CABINETS (W: 600 mm)**

Sipariş Kodu Order Code	U Ölçüsü U Measurement (U= 44,45 mm)	Ürün Ölçüleri (En,Boy,Derinlik mm) Product Dimensions (W x H x D mm)			Net Ağırlık (kg) Net Weight (kg)
		W	H	D	
PC25U6SC IP 41	25 U	600	1260	600	75
PC34U6SC IP 41	34 U	600	1665	600	92
PC38U6SC IP 41	38 U	600	1845	600	101
PC34U8SC IP 41	34 U	600	1665	800	105
PC38U8SC IP 41	38 U	600	1845	800	114

Not: İstenildiği takdirde IP 54 imal edilebilir.  
Note: it can be produced IP 54 if requested.

**KABİN ÖZELLİKLERİ**

- Estetik görünümlü
- 19" e kadar ekran haznesi
- Fonksiyonel klavye / mouse çekimce uygulamaları
- Teleskopik veya sabit yazıcı modülleri
- Havalandırma
- Opsiyonel sabit ve taşınabilir özellikler

**CABINET SPECIFICATIONS**

- Aesthetics appearance
- Monitor cases up to 19"
- Functional keyboard / mouse sliding shelves application
- Sliding or fixed printer modules
- Cabinet cooling with fans
- Optional fixed or moveable type

**HAVALANDIRMA ÜNİTELERİ / TAVAN TIPI "EEFR&EMFR" MODELLER İÇİN**  
TOP MOUNTED FAN TRAYS FOR "EEFR&EMFR" TYPE CABINETS

Sipariş Kodu Order Number	Ürün Özelliği Specifications	Net Ağırlık (kg) Net Weight (kg)
FBT 4X	Fan Tray w/4 fan holes w/o any fan (standard for all dimensions of EEFR&EMFR cabinets)	3.97
FBT 6X	Fan Tray w/6 fan holes w/o any fan (optional for all dimensions except 600x600 of EEFR&EMFR cabinets)	6.19

**HAVALANDIRMA ÜNİTELERİ / TAVAN TIPI "ESFR&EPFR" MODELLER İÇİN**  
TOP MOUNTED FAN TRAYS FOR "ESFR&EPFR" TYPE CABINETS

Sipariş Kodu Order Number	Ürün Özelliği Specifications	Net Ağırlık (kg) Net Weight (kg)
FBTS 4X	Fan Tray w/4 fan holes w/o any fan (standard for all dimensions of ESFR&EPFR cabinets)	3.87
FBTS 6X	Fan Tray w/6 fan holes w/o any fan (optional for all dimensions except 600x600 of ESFR&EPFR cabinets)	6.09

**HAVALANDIRMA ÜNİTELERİ / TAVAN TIPI "EDT" MODELLER İÇİN**  
TOP MOUNTED FAN TRAYS FOR "EDT" TYPE CABINETS

Sipariş Kodu Order Number	Ürün Özelliği Specifications	Net Ağırlık (kg) Net Weight (kg)
FBTD 4X	Fan Tray w/4 fan holes w/o any fan (standard for all dimensions of EDT cabinets)	7.42
FBTD 68 6X	Fan Tray w/6 fan holes w/o any fan (optional for 600x800mm EDT cabinets)	8.14
FBTD 610 6X	Fan Tray w/6 fan holes w/o any fan (optional for 600x1000mm EDT cabinets)	8.86
FBTD 88 6X	Fan Tray w/6 fan holes w/o any fan (optional for 800x800mm EDT cabinets)	8.86
FBTD 810 6X	Fan Tray w/6 fan holes w/o any fan (optional for 800x1000mm EDT cabinets)	9.58

FBT /FBTS/FBTD Fan tavalarına monte edilmesi istenen fan sayısı "n" yerine belirtilecektir. Örn.FBT4X 2F  
4X nF / 6X nF Number of fan units, requested to be fixed on trays should be stated instead of "n".I.e.FBT6X2F

Not: Havalandırma üniteleri EEFR,EMFR modellerde kabin içinden; ESFR,EPFR&EDT modellerde kabin dışından monte edilir.  
Notice: EEFR&EMFR cabinets' ventilation units are mounted thru inside of cabinets  
ESFR,EPFR&EDT cabinets' ventilation units are mounted thru outside of cabinets.

**HAVALANDIRMA ÜNİTELERİ / TAVAN TIPI (MINI RACKLAR İÇİN)**  
VENTILATIONS / TOP MOUNTED

Sipariş Kodu Order Number	Ürün Özelliği Specifications	Net Ağırlık (kg) Net Weight (kg)
FBTM 1F	430x150 1 Fanlı / 1 Fans (Rack Montaj 1U/Rack Mount)	2.25
FBTM 2F	430x150 2 Fanlı / 2 Fans (Rack Montaj 2U/Rack Mount)	2.77

**HAVALANDIRMA ARA FANLARI / RACK BAĞLANTILI**  
INTERMEDIATE FANS

Sipariş Kodu Order Number	Ürün Özelliği Specifications	Net Ağırlık (kg) Net Weight (kg)
FBR 2F	ARA FAN 220V AC 2 Fanlı / 2 Fans	2.90
FBR 4F	ARA FAN 220V AC 4 Fanlı / 4 Fans	5.80
FBR 6F	ARA FAN 220V AC 6 Fanlı / 6 Fans	8.70

Not: İstenildiğinde fan ünitelerine termostat da eklenebilir.  
Notice: If you want temp. control can mount the fan units.

**HAVALANDIRMA FANLARI**  
FANS

Sipariş Kodu Order Number	Ürün Özelliği Specifications	Net Ağırlık (kg) Net Weight (kg)
FN 12 GE	HAVALANDIRMA FANI (EU) / Fan Unit (EU)	0.54
FN 12 TW	HAVALANDIRMA FANI (T.W.) / Fan Unit (T.W.)	0.52
ABS 10	FİLTRELİ PANJUR BLOĞU / FILTERED SHUTTER BLOCK	0.09
KP 120	KORUYUCU ABS PANJUR / PROTECTIVE ABS SHUTTER	0.025

**ISI KONTROL CİHAZLARI / TERMOSTATLAR**  
TEMP. CONTROL

Sipariş Kodu Order Number	Ürün Özelliği Specifications	Net Ağırlık (kg) Net Weight (kg)
AKTHR 1	0 C° / +60 C° MANUEL ISITMA / MANUAL HEATING	0.10
AKTHR 2	0 C° / +60 C° MANUEL SOĞUTMA / MANUAL COOLING	0.10
AKTHR 3	95-35 %rF/RH MANUEL HİGROSTAT / MANUAL HIGROSTAT	0.06
DGTHR 1	0 C° / +99 C° DIGITAL TERMOSTAT / THERMOSTAT	0.88



FBT 4X nF



FBT 6X nF



FBTS 4X nF



FBTS 6X nF



FBTD 4X nF



FBTD 6X nF



FBTM 2F



FBTM 1F



KP 120



FBR



ABS 10



FN 12 GE



AKTHR 1



AKTHR 2



AKTHR 3



DGTHR 1

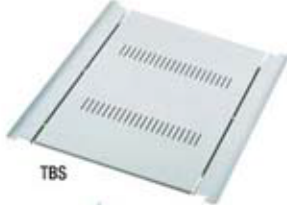
19" RACK KABIN AKSESUARLARI  
19" RACK CABINET ACCESSORIES



RCLF



RCHF



TBS



TBH



TBTH

## CİHAZ RAFLARI (MİNİ RACKLAR İÇİN) SHELVES (FOR MINI RACKS)

### RACK BAĞLANTILI SABİT RAFLAR RACK MOUNTED FIXED SHELVES

Sipariş Kodu Order Number	Kullanım Ölçüsü (mm) Sizes (mm)	Maksimum Yük (kg) Maximum Load Capacity(kgs)	Net Ağırlık (kg) Net Weight (kg)
RCLF 120	1U 200 mm Sabit / Fixed	12	1.50
RCLF 130	1U 300 mm Sabit / Fixed	10	1.80
RCLF 140	1U 400 mm Sabit / Fixed	8	2.16
RCLF 240	2U 400 mm Sabit / Fixed	18	2.90
RCLF 250	2U 500 mm Sabit / Fixed	15	3.40
RCLF 340	3U 400 mm Sabit / Fixed	25	3.01
RCLF 350	3U 500 mm Sabit / Fixed	22	3.50
RCLF 360	3U 600 mm Sabit / Fixed	19	3.95

### HAREKETLİ RAFLAR / RACK BAĞLANTILI SABİT AÇILIMLI RACK MOUNTED SLIDING SHELVES

Sipariş Kodu Order Number	Kullanım Ölçüsü (mm) Sizes (mm)	Maksimum Yük (kg) Maximum Load Capacity(kgs)	Net Ağırlık (kg) Net Weight (kg)
RCHF 130	1U 225 mm Açılma / Sliding	15	4.80
RCHF 140	1U 325 mm Açılma / Sliding	12	5.01

## CİHAZ RAFLARI (STANDART RACKLAR İÇİN) EQUIPMENT SHELVES (FOR STANDARD RACKS)

### SABİT RAFLAR / YAN TAŞIYICI BAĞLANTILI CANTILEVER SHELVES / SIDE SUPPORT CONNECTIONS EQUIPMENT SHELVES

Sipariş Kodu Order Number	Kullanım Ölçüsü (mm) Sizes (mm)	Maksimum Yük (kg) Maximum Load Capacity(kgs)	Net Ağırlık (kg) Net Weight (kg)
TBS 30	1U 300 mm Sabit / Fixed	25	4.00
TBS 40	1U 400 mm Sabit / Fixed	25	4.13
TBS 50	1U 500 mm Sabit / Fixed	33	4.30
TBS 60	1U 600 mm Sabit / Fixed	33	4.60

### HAREKETLİ RAFLAR / YAN TAŞIYICI BAĞLANTILI CANTILEVER SHELVES / SIDE SUPPORT CONNECTIONS EQUIPMENT SHELVES

Sipariş Kodu Order Number	Kullanım Ölçüsü (mm) Sizes (mm)	Maksimum Yük (kg) Maximum Load Capacity(kgs)	Net Ağırlık (kg) Net Weight (kg)
TBH 30	1U 225 mm Açılma / Sliding	18	4.50
TBH 40	1U 325 mm Açılma / Sliding	15	4.80
TBH 50	1U 425 mm Açılma / Sliding	12	5.04

### TELESKOPİK RAFLAR / ÇİFT AÇILIR CİHAZ RAFLARI TELESCOPIC SHELVES / DOUBLE MOVEMENT EQUIPMENT SHELVES

Sipariş Kodu Order Number	Kullanım Ölçüsü (mm) Dimensions (mm)	Maksimum Yük (kg) Maximum Load Capacity(kgs)	Net Ağırlık (kg) Net Weight (kg)
TBTH 40	1U 400 mm Teleskopik Açılma / Sliding	30	5.30
TBTH 50	1U 500 mm Teleskopik Açılma / Sliding	45	5.69

## ALÜMİNYUM İŞLEMSİZ CİHAZ KUTULARI ALUMINIUM EQUIPMENT BOXES (CASES)

### ÖZEL CİHAZLAR İÇİN / RACK MONTAJ RACK MOUNTED ENCLOSURE

Sipariş Kodu Order Number	Ürün Özelliği Specifications	Net Ağırlık (kg) Net Weight (kg)
RCKT 1U AL	1U	2.29
RCKT 2U AL	2U	2.63
RCKT 3U AL	3U	5.61
RCKT 4U AL	4U	6.10



RCKT

### RACK MONTAJ REGLET ÇATILARI RACK MOUNTED CONNECTOR FRAME

Sipariş Kodu Order Number	Ürün Özelliği Specifications	Net Ağırlık (kg) Net Weight (kg)
RNGR 60	1U	0.51
RNGR 120	2U	1.02
RNGR 180	3U	1.50



RNGR 180

RNGR 120

RNGR 60

### RACK MONTAJ MONİTÖR ve KLAVYE BÖLMESİ RACK MOUNTED MONITOR & KEYBOARD UNIT

Sipariş Kodu Order Number	Ürün Özelliği Specifications	Net Ağırlık (kg) Net Weight (kg)
EMMB 10U	KİLİTLİ MONİTÖR BÖLMESİ / LOCKABLE MONITOR UNIT (Max. 17")	3.57
TBHDK	DÖNER KLAVYE ÇEKMECESİ / ROTATING SHELF FOR KEYBOARD	10.67
TBHK	SABİT KLAVYE ÇEKMECESİ / FIXED SHELF FOR KEYBOARD	4.8



EMMB

### ÇEKMECE DRAWER

Sipariş Kodu Order Number	Kullanım Ölçüsü (mm) Dimensions (mm)	Maksimum Yük (kg) Maximum Load Rating (kgs)	Net Ağırlık (kg) Net Weight (kg)
TBHC 340	3U 400 mm	10	6.12
TBHC 355	3U 550 mm	10	7.56



TBHC

TBHC

### AKSESUARLAR ACCESSORIES

Sipariş Kodu Order Number	Ürün Özelliği Specifications	Net Ağırlık (kg) Net Weight (kg)
AYD 01	İÇ AYD. LAMBASI 35 W RALİNA / INSIDE LIGHTING 35 W 220 Lm.	0.23
AYD 02	İÇ AYD. LAMBASI 11 W / INSIDE LIGHTING 11 W 900 Lm.	0.83



TBHC

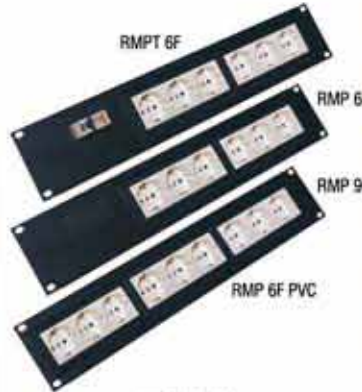


AYD 02

AYD 01

19" RACK KABİN AKSESUARLARI  
19" RACK CABINET ACCESSORIES




**PRİZ KOMBİNASYONLARI  
SOCKET OUTLET COMBINATIONS**

RACK MONTAJ PRİZLİKLER RACK MOUNTED SOCKETS COMBINATIONS		
Sipariş Kodu Order Number	Ürün Özelliği Specifications	Net Ağırlık (kg) Net Weight (kg)
AVRUPA MALI PRİZLİ / with EU SOCKETS		
RMP 3	2U 3 PRİZLİ / 3 SOCKETS(EU)	0.45
RMP 3F	2U 3 PRİZLİ SİĞORTALI / 3 SOCKETS(EU)+FUSE	0.50
RMP 6	2U 6 PRİZLİ / 6 SOCKETS(EU)	0.60
RMP 6F	2U 6 PRİZLİ SİĞORTALI / 6 SOCKETS(EU)+FUSE	0.78
RMP 9	2U 9 PRİZLİ / 9 SOCKETS(EU)	0.70
TÜRK MALI PRİZLİ / with SOCKETS MADE IN TURKEY		
RMPT 3	2U 3 PRİZLİ / 3 SOCKETS	0.45
RMPT 3F	2U 3 PRİZLİ SİĞORTALI / 3 SOCKETS+FUSE	0.50
RMPT 6	2U 6 PRİZLİ / 6 SOCKETS	0.60
RMPT 6F	2U 6 PRİZLİ SİĞORTALI / 6 SOCKETS+FUSE	0.78
RMPT 9	2U 9 PRİZLİ / 9 SOCKETS	0.70

RACK MONTAJ PRİZLİK PACK MOUNTED SOCKET COMBINATIONS		
Sipariş Kodu Order Number	Ürün Özelliği Specifications	Net Ağırlık (kg) Net Weight (kg)
RMP 6F PVC	1U 6 PRİZLİ SİĞORTALI / 1U 6 SOCKETS+FUSE	1.16
RMP 12F PVC	2U 12 PRİZLİ SİĞORTALI / 2U 12 SOCKETS+FUSE	1.70

Değişik tip (ups, vs) priz kombinasyonları mümkündür.  
Different type of socket (Ups, etc) combinations are possible.

PVC PRİZLİKLER PVC SOCKET COMBINATIONS		
Sipariş Kodu Order Number	Ürün Özelliği Specifications	Net Ağırlık (kg) Net Weight (kg)
STD 3P	PVC 3 PRİZLİ (SİĞORTASIZ) ANAHTARLI / 3 SOCKETS+SWITCH (w/o FUSE)	0.53
STD 6P	PVC 6 PRİZLİ (SİĞORTASIZ) ANAHTARLI / 6 SOCKETS+SWITCH (w/o FUSE)	0.26

FİBER OPTİK SONLAMA KUTULARI / RACK MONTAJ F/O RACK MOUNTED ENDING UNITS		
Sipariş Kodu Order Number	Ürün Özelliği Specifications	Net Ağırlık (kg) Net Weight (kg)
RMFK 1U 24	1U 8-16-24 PORTLUK/PORTS	2.86

FİBER OPTİK SONLAMA KUTULARI / DUVAR MONTAJ WALL-MOUNTED F/O ENDING UNITS		
Sipariş Kodu Order Number	Ürün Özelliği Specifications	Net Ağırlık (kg) Net Weight (kg)
DMFK 6P	6 PORTLUK BOŞ / 6 PORTS EMPTY	1.34
DMFK 24P	24 PORTLUK BOŞ / 24 PORTS EMPTY	2.51

**KABLO DÜZENLEYİCİLERİ**  
**CABLE ORGANIZERS**

**DIKEY MONTAJ 1U ORGANİZERLER**  
**VERTICAL MOUNTED 1U ORGANISERS**

Sipariş Kodu Order Number	Kullanım Ölçüsü (mm) Sizes (mm)	Net Ağırlık (kg) Net Weight (kg)
RNG 1U K20	1U 1000 mm STEEL PLATE+ PC(POLI CARBONATE)	1.14
RNG 1U K25	1U 1200 mm STEEL PLATE+ PC	1.21
RNG 1U K30	1U 1400 mm STEEL PLATE+ PC	1.37
RNG 1U K34	1U 1600 mm STEEL PLATE+ PC	1.42
RNG 1U K38	1U 1800 mm STEEL PLATE+ PC	1.50
RNG 1U K43	1U 2000 mm STEEL PLATE+ PC	1.57

**DIKEY MONTAJ 2U ORGANİZERLER**  
**VERTICAL MOUNTED 2U ORGANISERS**

Sipariş Kodu Order Number	Kullanım Ölçüsü (mm) Sizes (mm)	Net Ağırlık (kg) Net Weight (kg)
RNG 2U K20	2U 1000 mm STEEL PLATE+ PC(POLI CARBONATE)	1.50
RNG 2U K25	2U 1200 mm STEEL PLATE+ PC	1.72
RNG 2U K30	2U 1400 mm STEEL PLATE+ PC	1.94
RNG 2U K34	2U 1600 mm STEEL PLATE+ PC	2.11
RNG 2U K38	2U 1800 mm STEEL PLATE+ PC	2.39
RNG 2U K43	2U 2000 mm STEEL PLATE+ PC	2.67

**RACK MONTAJ ORGANİZERLER**  
**RACK MOUNTED CABLE ORGANISERS**

Sipariş Kodu Order Number	Kullanım Ölçüsü (mm) Sizes (mm)	Net Ağırlık (kg) Net Weight (kg)
RNG 1U PC	1U STEEL PLATE+ PC	0.40
RNG 2U PC	2U STEEL PLATE+ PC	0.73

**RACK MONTAJ ORGANİZERLER**  
**RACK MOUNTED CABLE ORGANISERS**

Sipariş Kodu Order Number	Kullanım Ölçüsü (mm) Sizes (mm)	Net Ağırlık (kg) Net Weight (kg)
ORGT K10	1U FIRÇA / BRUSHES	0.20
ORGT K48	1U FIRÇA / BRUSHES	0.73

**PATCH PANELLER PATCH PANELS**

**İŞLEMSİZ PATCH PANELLER**

PATCH PANEL WITH FLANGED EDGES (UNPUNCHED)

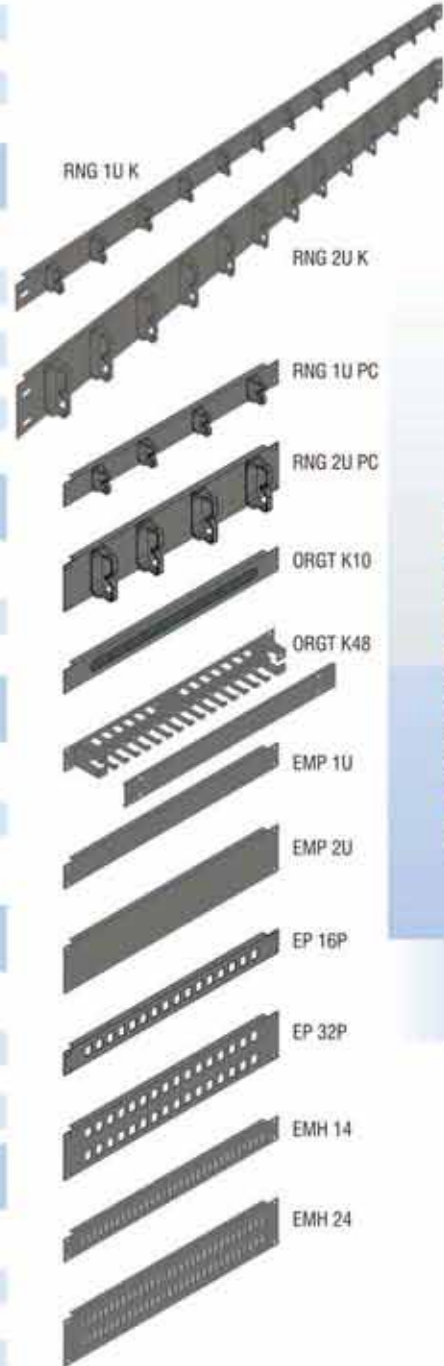
Sipariş Kodu Order Number	Ürün Özelliği Specifications	Net Ağırlık (kg) Net Weight (kg)
EMP 1U	1U İşlemsiz Patch Panel / 1U without Holes	0.35
EMP 2U	2U İşlemsiz Patch Panel / 2U without Holes	0.61
EMP 3U	3U İşlemsiz Patch Panel / 3U without Holes	0.85

**İŞLEMLİ PATCH PANELLER / RJ 45 CAT 5 - 6**  
**RACK MOUNTED / RJ 45 CAT 5 - 6**

Sipariş Kodu Order Number	Ürün Özelliği Specifications	Net Ağırlık (kg) Net Weight (kg)
EP 16P	1 U 16 Port	0.20
EP 32P	2 U 32 Port	0.49
EP 48P	3 U 48 Port	0.72

**HAVALANDIRMA IZGARASI**  
**VENTILATION UNIT**

Sipariş Kodu Order Number	Ürün Özelliği Specifications	Net Ağırlık (kg) Net Weight (kg)
EMH 14	1 U	0.31
EMH 24	2 U	0.53



19" RACK KABİN AKSESUARLARI  
19" RACK CABINET ACCESSORIES



BAZA MODÜLLERİ BASES (SUPPORT MODULES)			
Sipariş Kodu Order Number	Örün Özelliği Specifications		Net Ağırlık (kg) Net Weight (kg)
KBZ 66	600 x 600 METAL / METAL		5.45
KBZ 68	600 x 800 METAL / METAL		6.17
KBZ 610	600 x 1000 METAL / METAL		6.89
KBZ 88	800 x 800 METAL / METAL		6.94
KBZ 810	800 x 1000 METAL / METAL		7.66

KABİN TEKERLEKLERİ ve SABİTLEYİCİLER CASTORS & FIXING FEET			
Sipariş Kodu Order Number	Örün Özelliği Specifications	Taşıma Kap. Load Cap.	Net Ağırlık (kg) Net Weight (kg)
055 RMB	METAL FRENİZ TEKERLEK/METAL WHEELS	100	0.36
055F RMB	METAL FRENİLİ TEKERLEK/METAL WHEELS w/BRAKE	100	0.42
050 PPB	PVC FRENİZ TEKERLEK/PVC WHEELS	30	0.07
050F PPB	PVC FRENİLİ TEKERLEK/PVC WHEELS w/BRAKE	30	0.07
TA M10X40	PİNGO / FIXED FEET	40	0.04
TA M10X70	AYARLI PİNGO / ADJUSTABLE FEET	150	0.07

BAĞLANTI ELEMANLARI CONNECTION BOLT & NUTS		
Sipariş Kodu Order Number	Örün Özelliği Specifications	
KFS M6	M6 x 15 METAL + PVC SET / CAGE-NUT + PVC WASHER	
BC	M8 x 15 METAL SET	
RD	PLASTİK DÜBEL / PVC DOWEL	

TOPRAKLAMA AKSESUARLARI ve KABLO GİRİŞ ELEMANLARI EARTHING ACCESSORIES & CABLE ENTRY UNITS		
Sipariş Kodu Order Number	Örün Özelliği Specifications	
TBK	100mm TOPRAKLAMA BARASI(Klemensli) / 100mm EARTHING BARS	
TNB	100mm TOPRAKLAMA + NÖTR BARASI / 100mm NEUTRAL BARS	
TK4	TOPRAKLAMA KLEMENSİ 4 mm <sup>2</sup> (TNB için) / CLAMPS 4mm <sup>2</sup> (for TNB)	
TK16	TOPRAKLAMA KLEMENSİ 16 mm <sup>2</sup> (TNB için) / CLAMPS 16mm <sup>2</sup> (for TNB)	
TKY	200mm TOPRAKLAMA KABLDUSU / 200mm EARTHING CABLE	
TKF	150mm TOPRAKLAMA KABLDUSU / 150mm EARTHING CABLE	
TKİ	150mm TOPRAKLAMA KABLDUSU / 150mm EARTHING CABLE	
AE 100x50	FİRÇA / BRUSH 100x50 mm	
AE 350x50	FİRÇA / BRUSH 350x50 mm	
BP4102	İKİLİ ÇERÇEVE (100x50 mm)(Tırnaklı Tip) / PVC FRAME w/ double socket house	
AKS 035-1	PLASTİK MİNİ RACK ASKI KULAĞI / PVC HANGING UNIT FOR MINI RACKS	

#### KIOSK ÖZELLİKLERİ

- Estetik görüntü
  - 19" e kadar ekran haznesi
  - Fonksiyonel klavye / maus çekmece uygulamaları
  - Teleskopik veya sabit yazıcı modülleri
  - İsteğe uygun havalandırma
  - Opsiyonel sabit ve taşınabilir özellik
- Opsiyonel harici ortam uygulamaları

#### Kiosk Nedir?

Firmalardaki yönetimlerde insan ilişkilerinin hızla artması ile hedeflenen müşterilere en kısa sürede erişmek ihtiyacı doğmuştur. Bu nedenle gerçek müşterilere, bilgi-verinin pratik verilmesi için iyi noktalar seçilmelidir. Birçok alış-veriş merkezi, müze, banka, otel, hastane, fuarlar, fabrikalar ve şirketler kioskları sıklıkla kullanırlar. Kiosk interaktif veri-ürün donanımlarına haiz olup istene bilgiyi-veriyi 7 gün 24 saat boyunca verebilir. Aynı zamanda multimedya imkanlarıyla hızlı, kolay, doğru hedef-verileri alma imkanı vardır.



#### PC CABINET SPECIFICATIONS

- Aesthetics appearance
- Monitor cases up to 19"
- Functional keyboard / mouse sliding shelves application
- Sliding or fixed printer modules
- Cabinet cooling with fans
- Optional fixed or moveable type
- Optional outdoor environment applications

#### What is Kiosk?

Increasing the public-relations management the firms need to very high speed reach to the target clients asap. So they need exact point to contact to the real customer for giving data, practical info and so. Many supermarkets, museums, banks, hotels, hospitals, fairs, factories, companies can use kiosk frequently. It is interactive product data equipment (software-hardware), gives service in 7 days 24 hours. It has also available multi-media facilities fast, easy & correct target datas.



ELTE PANO ELK. MAK. MET. MÜH.  
SAN. VE TİC. LTD. ŞTİ.

Istanbul Deri O.S.B.  
Güderi Cad. (7A Yolu) P1 Özel Parsel  
No.16 Tuzla - İstanbul / Türkiye  
Tel: +90 216. 484 0 666 pbx Fax: +90 216. 484 08 60



[www.eltepano.com](http://www.eltepano.com) [sales@eltepano.com](mailto:sales@eltepano.com)